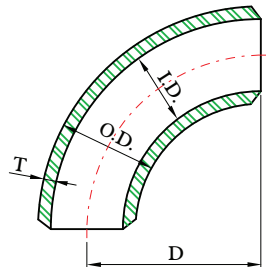
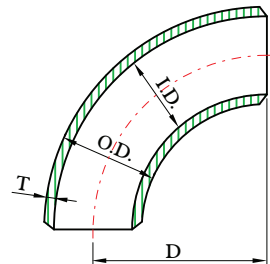
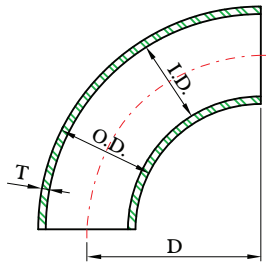


90° SHORT RADIUS ELBOWS

WELD
FITTINGS

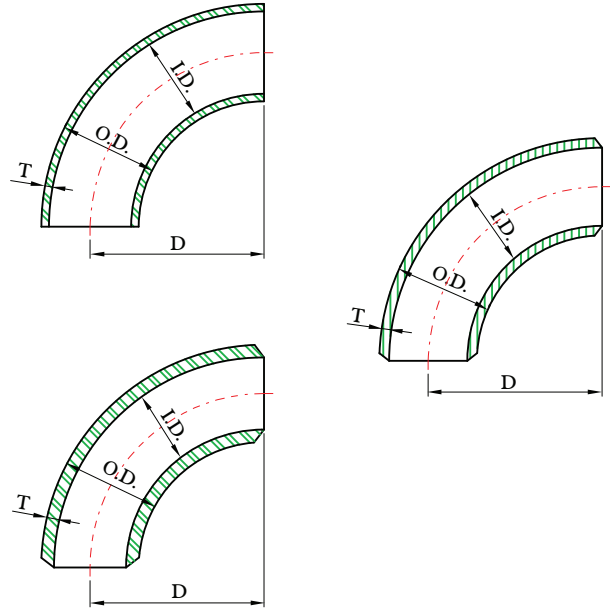


DIMENSIONS

unit : inch / lb

| Nominal pipe size | Outside diameter (O.D.) | Center to face (D) | Schedule 5S | | | Schedule 10S | | | Schedule 40S | | |
|-------------------|-------------------------|--------------------|-------------------------|--------------------|--------------------|-------------------------|--------------------|--------------------|-------------------------|--------------------|--------------------|
| | | | Inside diameter (I.D.) | Wall thickness (T) | Approx. weight * * | Inside diameter (I.D.) | Wall thickness (T) | Approx. weight * * | Inside diameter (I.D.) | Wall thickness (T) | Approx. weight * * |
| 1 | 1.315 | 1 | 1.185 | .065 | .17 | 1.097 | .109 | .23 | 1.049 | .133 | .26 |
| 1-1/4 | 1.660 | 1-1/4 | 1.530 | .065 | .31 | 1.442 | .109 | .38 | 1.380 | .140 | .45 |
| 1-1/2 | 1.900 | 1-1/2 | 1.770 | .065 | .43 | 1.682 | .109 | .49 | 1.610 | .145 | .63 |
| 2 | 2.375 | 2 | 2.245 | .065 | .63 | 2.157 | .109 | .81 | 2.067 | .154 | 1.13 |
| 2-1/2 | 2.875 | 2-1/2 | 2.709 | .083 | 1.25 | 2.635 | .120 | 1.36 | 2.469 | .203 | 2.25 |
| 3 | 3.500 | 3 | 3.334 | .083 | 1.75 | 3.260 | .120 | 2.17 | 3.068 | .216 | 3.31 |
| 3-1/2 | 4.000 | 3-1/2 | 3.834 | .083 | 2.35 | 3.760 | .120 | 3.05 | 3.548 | .226 | 4.54 |
| 4 | 4.500 | 4 | 4.334 | .083 | 3.12 | 4.260 | .120 | 3.79 | 4.026 | .237 | 6.88 |
| 5 | 5.563 | 5 | 5.345 | .109 | 4.94 | 5.295 | .134 | 6.12 | 5.047 | .258 | 11.63 |
| 6 | 6.625 | 6 | 6.407 | .109 | 7.75 | 6.357 | .134 | 9.15 | 6.065 | .280 | 17.50 |
| 8 | 8.625 | 8 | 8.407 | .109 | 15.44 | 8.329 | .148 | 17.63 | 7.981 | .322 | 37.60 |
| 10 | 10.750 | 10 | 10.482 | .134 | 27.40 | 10.420 | .165 | 35.00 | 10.020 | .365 | 63.00 |
| 12 | 12.750 | 12 | 12.438 | .156 | 35.00 | 12.390 | .180 | 40.00 | 12.000 | .375 | 80.00 |
| 14 | 14.000 | 14 | 13.688 | .156 | 44.00 | 13.624 | .188 | 52.00 | 13.250 | .375 | 101.00 |
| 16 | 16.000 | 16 | 15.670 | .165 | 65.00 | 15.624 | .188 | 68.00 | 15.250 | .375 | 131.00 |
| 18 | 18.000 | 18 | 17.670 | .165 | 81.00 | 17.624 | .188 | 86.00 | 17.250 | .375 | 175.00 |
| 20 | 20.000 | 20 | 19.624 | .188 | 107.00 | 19.564 | .218 | 143.00 | 19.250 | .375 | 215.00 |
| 24 | 24.000 | 24 | 23.564 | .218 | 182.00 | 23.500 | .250 | 202.00 | 23.250 | .375 | 302.00 |

90° SHORT RADIUS ELBOWS



WELD FITTINGS

DIMENSIONS

unit : inch / lb

| Nominal pipe size | Outside diameter (O.D.) | Center to face (D) | Schedule 80S | | | Schedule 160 | | | XX Strong Wall | | |
|-------------------|-------------------------|--------------------|-------------------------|--------------------|-------------------|-------------------------|--------------------|-------------------|-------------------------|--------------------|-------------------|
| | | | Inside diameter (I.D.) | Wall thickness (T) | Approx. weight ** | Inside diameter (I.D.) | Wall thickness (T) | Approx. weight ** | Inside diameter (I.D.) | Wall thickness (T) | Approx. weight ** |
| 1 | 1.315 | 1 | .957 | .179 | .38 | .815 | .250 | .53 | .599 | .358 | .76 |
| 1-1/4 | 1.660 | 1-1/4 | 1.278 | .191 | .63 | 1.160 | .250 | .82 | .896 | .382 | 1.26 |
| 1-1/2 | 1.900 | 1-1/2 | 1.500 | .200 | .88 | 1.338 | .281 | 1.23 | 1.100 | .400 | 1.76 |
| 2 | 2.375 | 2 | 1.939 | .218 | 1.55 | 1.689 | .343 | 2.43 | 1.503 | .436 | 3.10 |
| 2-1/2 | 2.875 | 2-1/2 | 2.323 | .276 | 2.88 | 2.125 | .375 | 3.88 | 1.771 | .552 | 5.76 |
| 3 | 3.500 | 3 | 2.900 | .300 | 4.20 | 2.624 | .438 | 6.09 | 2.300 | .600 | 8.40 |
| 3-1/2 | 4.000 | 3-1/2 | 3.364 | .318 | 5.35 | ----- | ----- | ----- | 2.728 | .636 | 10.70 |
| 4 | 4.500 | 4 | 3.826 | .337 | 9.06 | 3.438 | .531 | 14.22 | 3.152 | .674 | 18.12 |
| 5 | 5.563 | 5 | 4.813 | .375 | 16.10 | 4.313 | .625 | 26.72 | 4.063 | .750 | 32.20 |
| 6 | 6.625 | 6 | 5.761 | .432 | 26.00 | 5.187 | .719 | 43.16 | 4.897 | .864 | 52.00 |
| 8 | 8.625 | 8 | 7.625 | .500 | 54.80 | 6.813 | .906 | 99.18 | 6.875 | .875 | 109.00 |
| 10 | 10.750 | 10 | 9.750 | .500 | 99.80 | 8.500 | 1.125 | 224.00 | ----- | ----- | ----- |
| 12 | 12.750 | 12 | 11.750 | .500 | 125.00 | 10.126 | 1.312 | 327.00 | ----- | ----- | ----- |
| 14 | 14.000 | 14 | 13.000 | .500 | 135.00 | 11.188 | 1.406 | ----- | ----- | ----- | ----- |
| 16 | 16.000 | 16 | 15.000 | .500 | 175.00 | 12.812 | 1.594 | ----- | ----- | ----- | ----- |
| 18 | 18.000 | 18 | 17.000 | .500 | 228.00 | 14.438 | 1.781 | ----- | ----- | ----- | ----- |
| 20 | 20.000 | 20 | 19.000 | .500 | 285.00 | 16.062 | 1.969 | ----- | ----- | ----- | ----- |
| 24 | 24.000 | 24 | 23.000 | .500 | 401.00 | 19.312 | 2.344 | ----- | ----- | ----- | ----- |