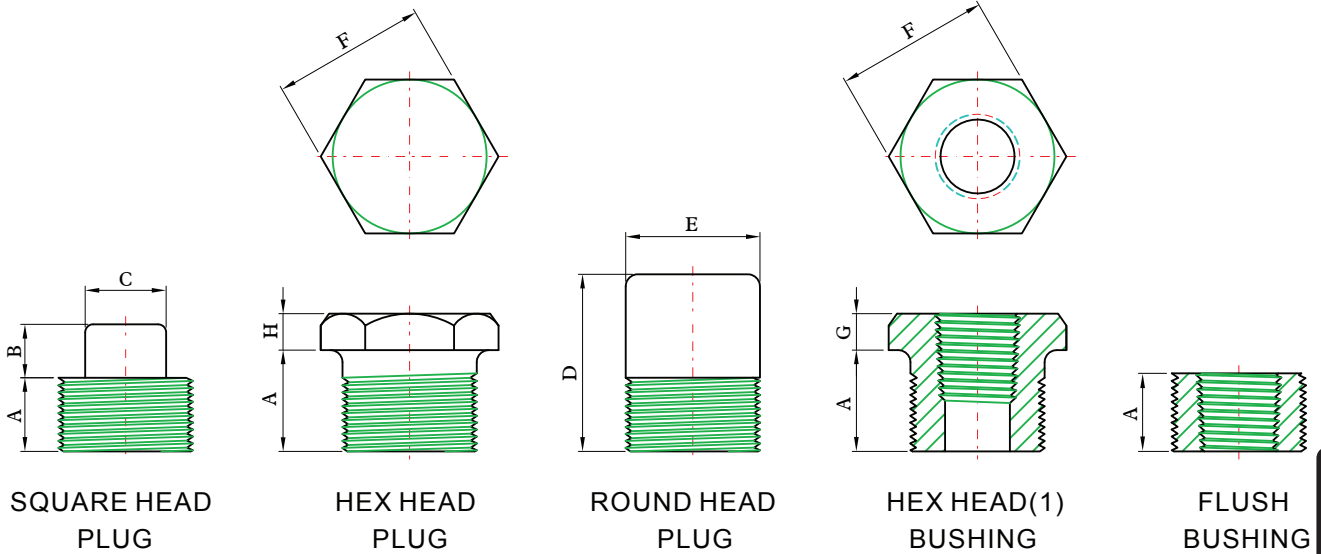


# PLUGS & BUSHINGS



FORGED FITTINGS

## DIMENSIONS

unit : inch

DN	Nom. Pipe Size	Length (Min.) A	Plugs Square Head		Plugs Round Head		Hex Plugs & Bushings		
			Height of Square (Min.) B	Width Flats (Min.) C	Nominal Diameter of Head E	Length (Min.) D	Width Flats (Nom.) F	Hex Height (Min.)	
								Bushing G	Plug H
6	1/8	0.394	0.236	0.276	0.394	1.378	0.433	----	0.236
8	1/4	0.433	0.236	0.394	0.551	1.614	0.630	0.118	0.236
10	3/8	0.512	0.315	0.433	0.709	1.614	0.709	0.157	0.315
15	1/2	0.551	0.394	0.551	0.827	1.732	0.866	0.197	0.315
20	3/4	0.630	0.433	0.630	1.063	1.732	1.063	0.236	0.394
25	1	0.748	0.512	0.827	1.299	2.008	1.417	0.236	0.394
32	1-1/4	0.827	0.551	0.945	1.693	2.008	1.811	0.276	0.551
40	1-1/2	0.827	0.630	1.102	1.890	2.008	1.969	0.315	0.630
50	2	0.866	0.709	1.260	2.362	2.520	2.559	0.354	0.709
65	2-1/2	1.063	0.748	1.417	2.874	2.756	2.953	0.394	0.748
80	3	1.102	0.827	1.614	3.504	2.756	3.543	0.394	0.827
100	4	1.260	0.984	2.559	4.488	2.992	4.528	0.512	0.984