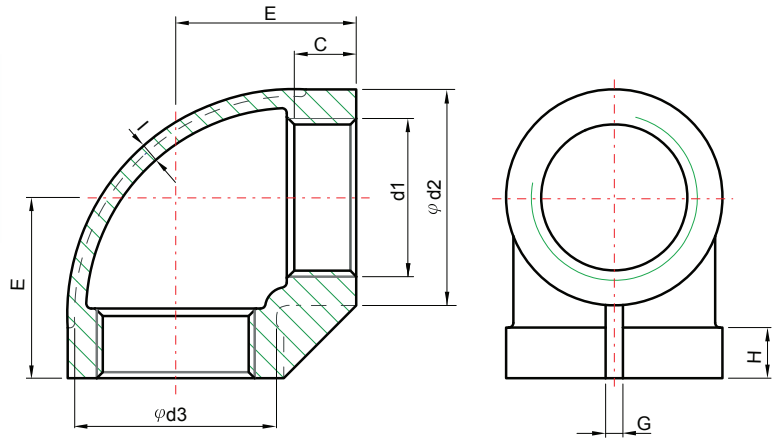


90° ELBOWS



DESIGN FEATURES:

- 🔴 THREAD: NPT
- 🔴 CF8 (304) & CF8M (316)

CAST FITTINGS

DIMENSIONS

unit : inch

SIZE	d1	d2	d3	C	E	G	H	I
1/8"	1/8"	0.63	0.53	0.24	0.67	0.14	0.24	0.08
1/4"	1/4"	0.75	0.61	0.37	0.77	0.16	0.24	0.08
3/8"	3/8"	0.89	0.77	0.38	0.94	0.16	0.31	0.10
1/2"	1/2"	1.10	1.02	0.39	1.14	0.12	0.30	0.08
3/4"	3/4"	1.34	1.24	0.41	1.26	0.12	0.35	0.08
1"	1"	1.69	1.61	0.55	1.46	0.16	0.39	0.10
1 1/4"	1 1/4"	2.01	1.89	0.63	1.71	0.20	0.43	0.10
1 1/2"	1 1/2"	2.32	2.22	0.61	1.89	0.20	0.47	0.10
2"	2"	2.83	2.68	0.71	2.19	0.22	0.51	0.10
2 1/2"	2 1/2"	3.54	3.39	0.87	2.64	0.35	0.55	0.12
3"	3"	4.17	4.02	0.94	3.03	0.39	0.59	0.14
4"	4"	5.20	5.00	1.02	3.78	0.33	0.65	0.14