

8

7

6

5

4

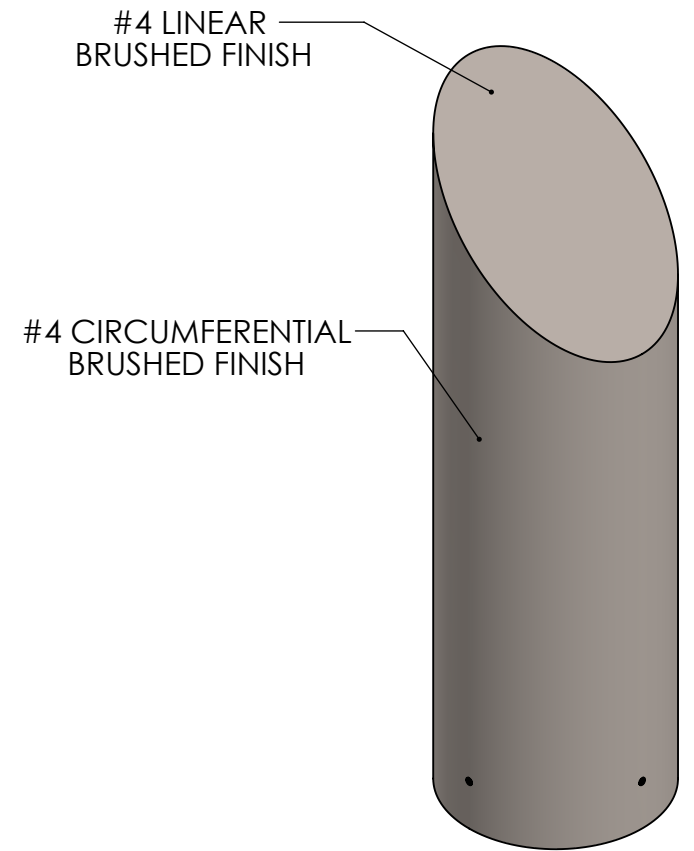
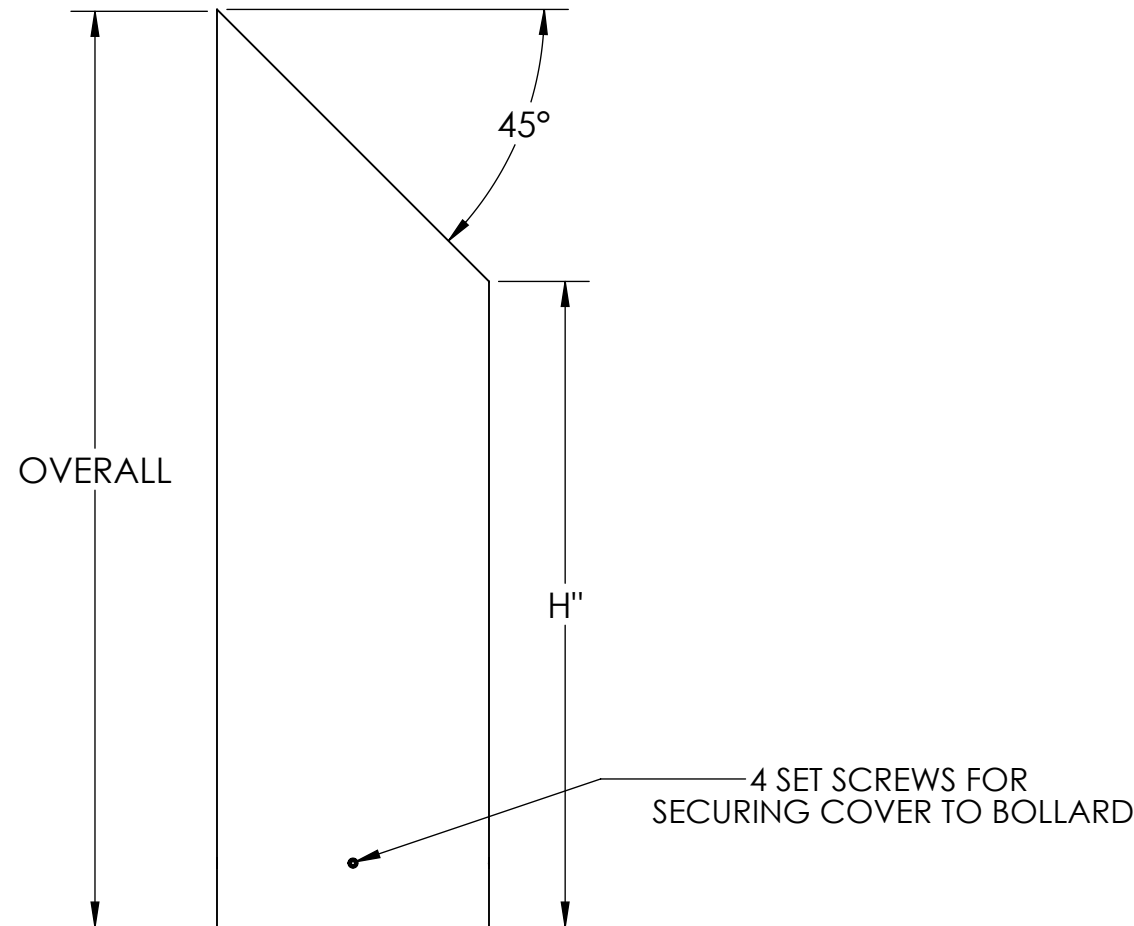
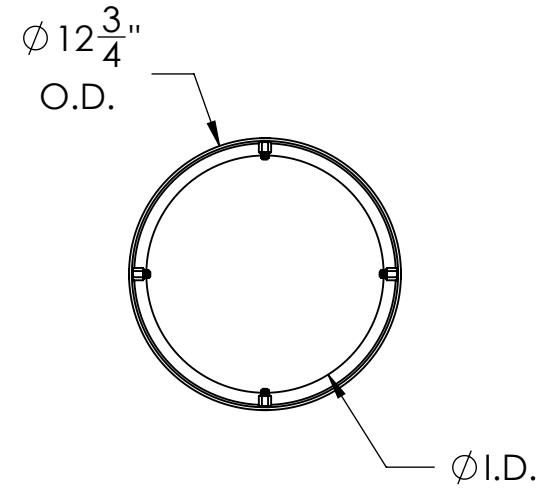
3

2

1

COVER SELECTION

SELECTION	PART NUMBER	BOLLARD HEIGHT(H)	OVERALL	FITS BOLLARD SIZE (I.D.)	MATERIAL
	BC4S1230-8	30"	42.875"	8"	304 SS
	BC4S1236-8	36"	48.875"		
	BC4S1240-8	40"	52.875"		
	BC4S1242-8	42"	54.875"	10"	
	BC4S1230-10	30"	42.875"		
	BC4S1236-10	36"	48.875"		
	BC4S1240-10	40"	52.875"	316L SS	
	BC4S1242-10	42"	54.875"		
	BC6S1230-8	30"	42.875"		8"
	BC6S1236-8	36"	48.875"		
	BC6S1240-8	40"	52.875"		
	BC6S1242-8	42"	54.875"	10"	
	BC6S1230-10	30"	42.875"		
	BC6S1236-10	36"	48.875"		
	BC6S1240-10	40"	52.875"	316L SS	
	BC6S1242-10	42"	54.875"		



NOTE: OTHER MATERIALS/FINISHES AVAILABLE - CONTACT FOR MORE INFORMATION

NO MANUAL REVISIONS/CHANGES ALLOWED

	NAME	DATE
DRAWN BY	S.J.	2/20/2020
CHECKED BY	J.HU.	2/20/2020

BARRIER DEFENSE SYSTEMS
A SHAW STAINLESS COMPANY

986 ROSEDALE DR.
HIRAM, GA 30141
(678) 915-2080

DESCRIPTION: 45 DEGREE 12" SLOPE TOP BOLLARD COVER

REV. ITEM NO: SEE SELECTOR



8

7

6

5

4

3

2

1