

8

7

6

5

4

3

2

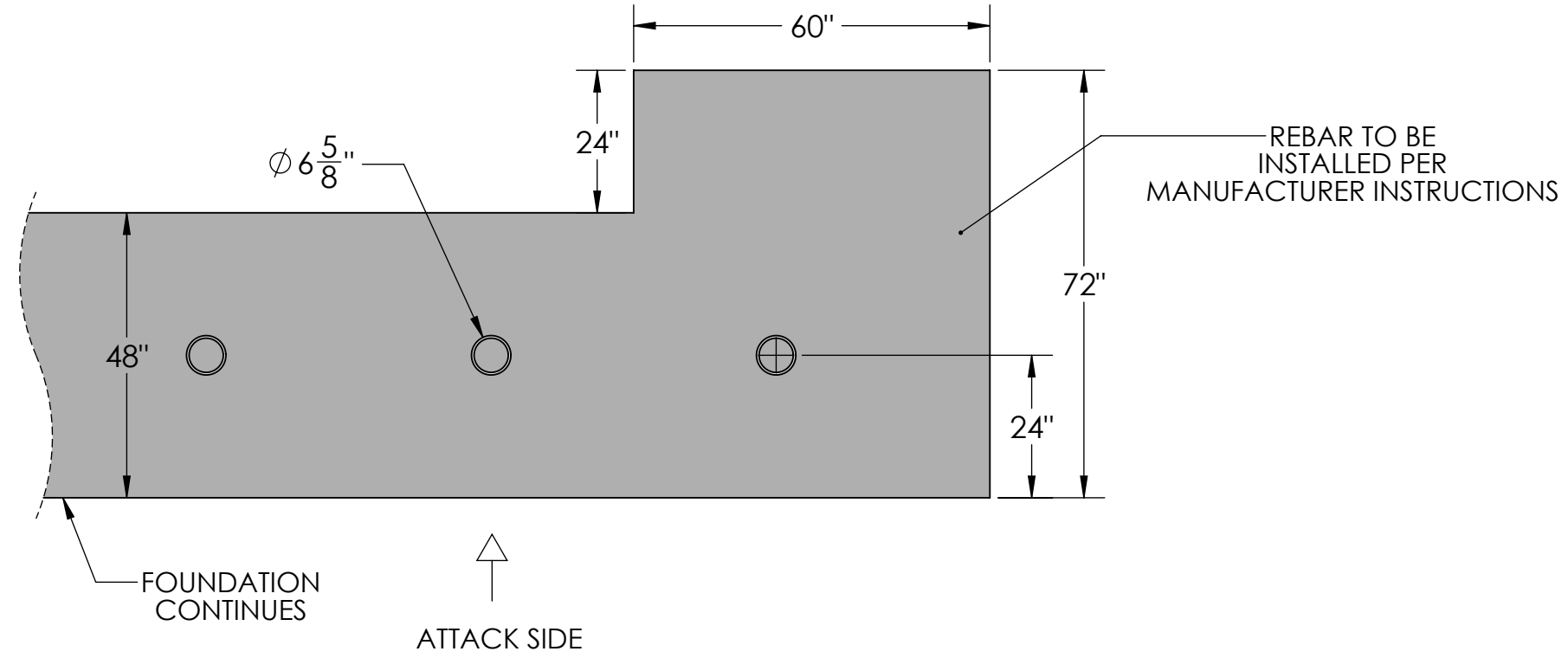
1

SELECTION	AVAILABLE OPTIONS
	DECORATIVE COVER
	FLAT TOP (POWDER COAT)
	DOME TOP (POWDER COAT)

NOTES: STANDARD FINISH IS ZINC RICH PRIME

D

D

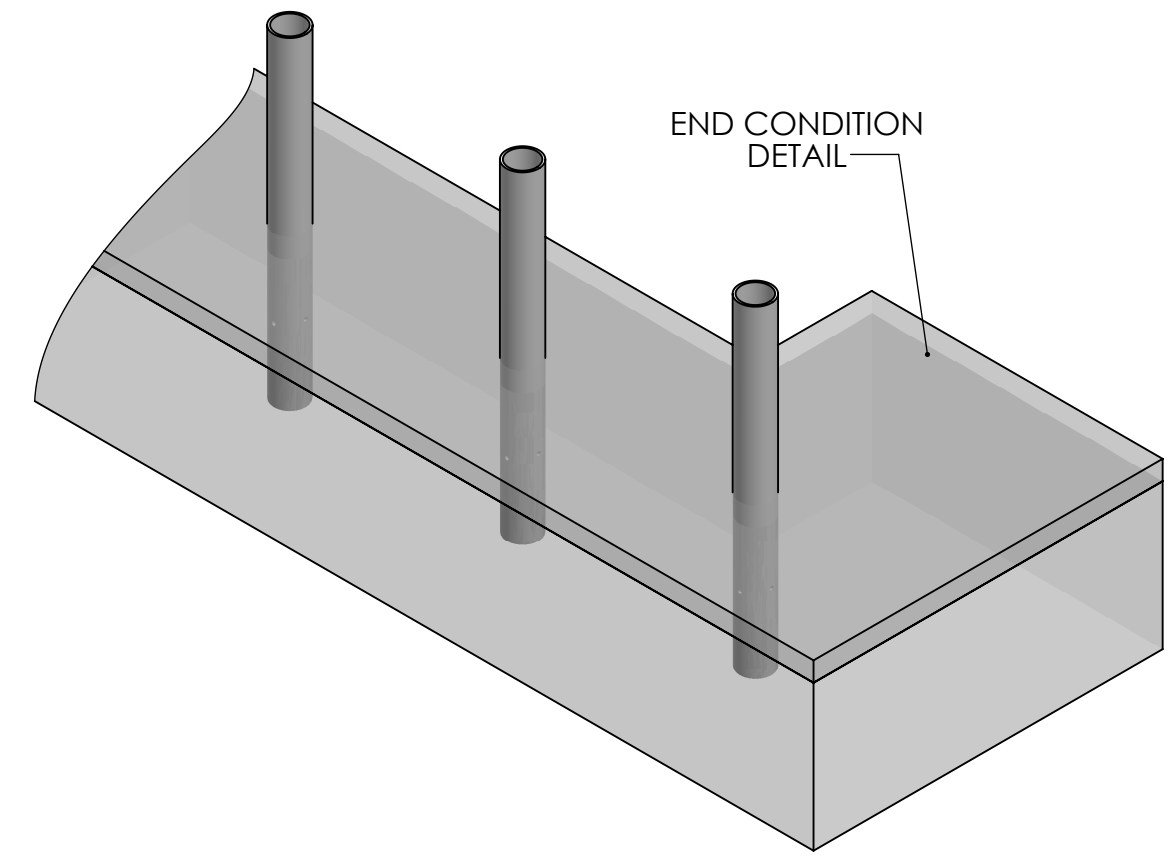
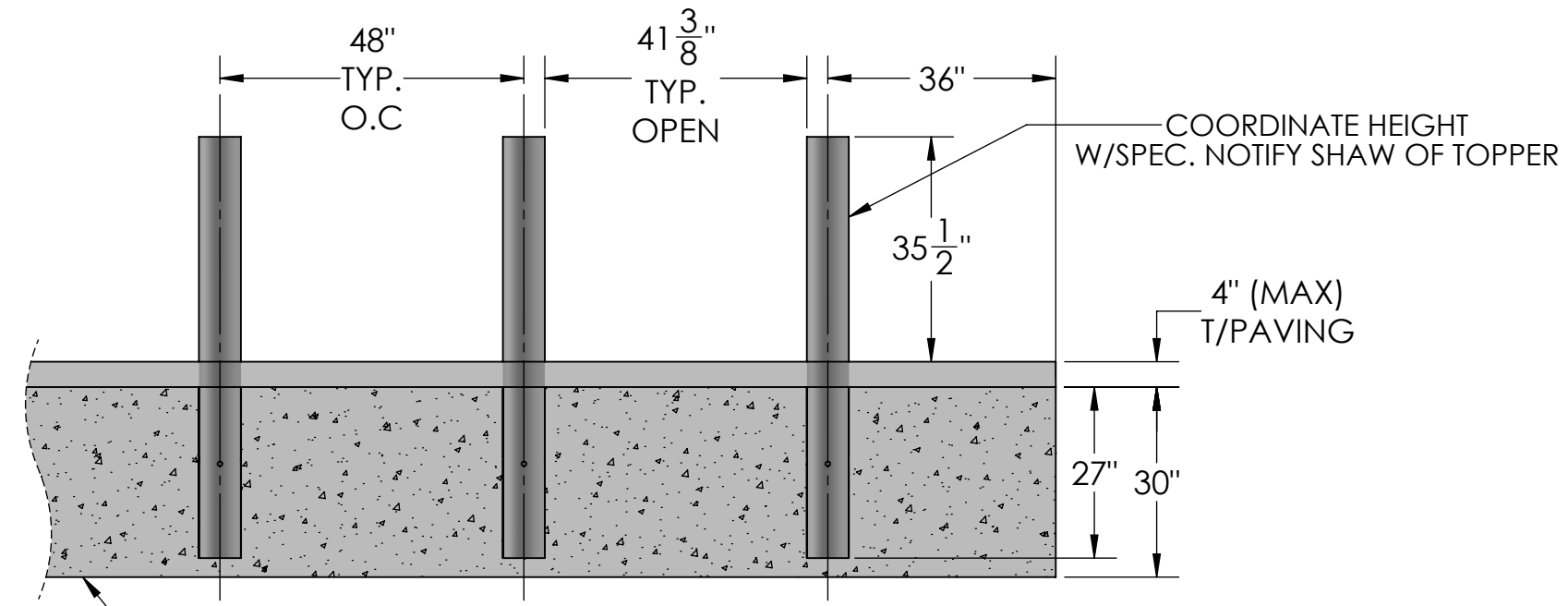


C

C

B


B



A

A



	NAME	DATE	 BARRIER DEFENSE SYSTEMS <small>A SHAW STAINLESS COMPANY</small>	986 ROSEDALE DR. HIRAM, GA 30141 (678) 915-2080
DRAWN BY	S.J.	2/21/2020		
CHECKED BY	J.HU.	2/21/2020	DESCRIPTION: ASTM C40 CRASH RATED FIXED BOLLARD GENERAL ARRANGEMENT	
PROPRIETARY AND CONFIDENTIAL THE INFORMATION CONTAINED IN THIS DRAWING IS THE SOLE PROPERTY OF SHAW STAINLESS LLC. ANY REPRODUCTION IN PART OR AS A WHOLE WITHOUT THE WRITTEN PERMISSION OF SHAW STAINLESS LLC IS PROHIBITED.			REV.	ITEM NO: BDS-C40FB36-ST
NO MANUAL REVISIONS/CHANGES ALLOWED			SHEET 1 OF 1	

8

7

6

5

4

3

2

1