

8

7

6

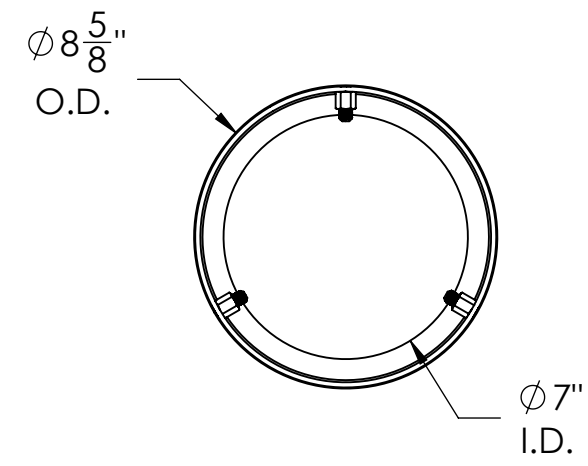
5

4

3

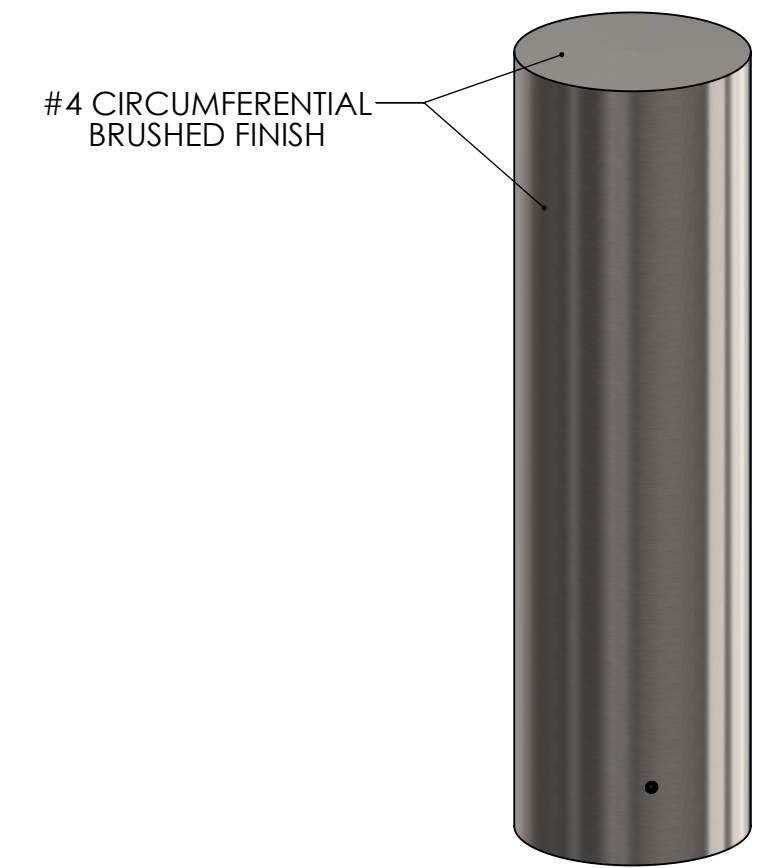
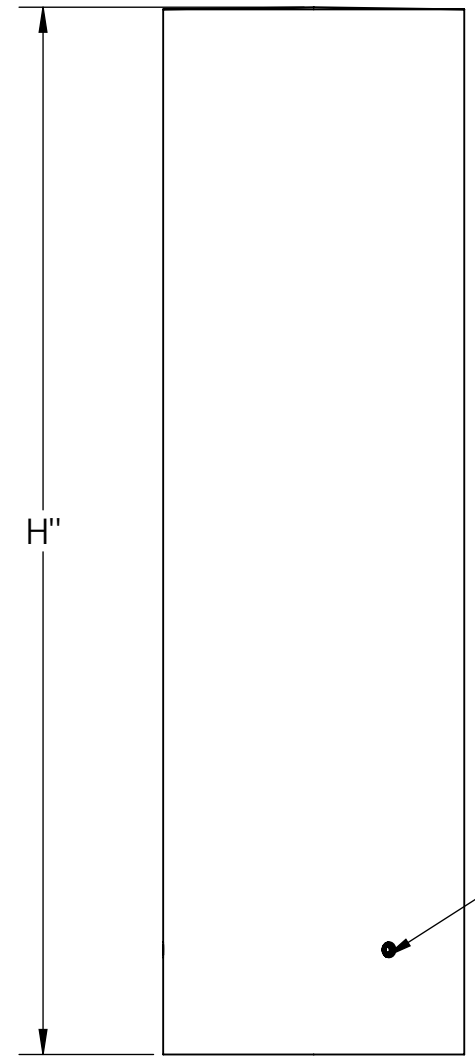
2

1



COVER SELECTION					
SELECTION	PART NUMBER	COVER HEIGHT (H)	FITS BOLLARD SIZE (I.D.)	MATERIAL	COVER WEIGHT
	BC4F0830-6	30"	6" NPS (6.625" O.D.)	304 SS	39LBS
	BC4F0836-6	36"			45LBS
	BC4F0840-6	40"			50LBS
	BC4F0842-6	42"			52LBS
	BC6F0830-6	30"		316L SS	39LBS
	BC6F0836-6	36"			45LBS
	BC6F0840-6	40"			50LBS
	BC6F0842-6	42"			52LBS
APPROVAL SIGNATURE:					
DATE:					


NOTE: BOLLARD SHOULD BE WITHIN 1/4" -1" SHORTER THAN OVERALL HEIGHT OF COVER



3 SET SCREWS FOR SECURING COVER TO BOLLARD



NOTE: OTHER MATERIALS/FINISHES AVAILABLE - CONTACT FOR MORE INFORMATION

	NAME	DATE	 <b>BARRIER DEFENSE SYSTEMS</b> <small>A SHAW STAINLESS COMPANY</small>	986 ROSEDALE DR. HIRAM, GA 30141 (678) 915-2080	
DRAWN BY	S.J.	9/28/2020			
CHECKED BY	J.HU.	9/28/2020	DESCRIPTION:		
			8" FLAT TOP BOLLARD COVER		
PROPRIETARY AND CONFIDENTIAL THE INFORMATION CONTAINED IN THIS DRAWING IS THE SOLE PROPERTY OF SHAW STAINLESS LLC. ANY REPRODUCTION IN PART OR AS A WHOLE WITHOUT THE WRITTEN PERMISSION OF SHAW STAINLESS LLC IS PROHIBITED.			REV. <b>A</b>	ITEM NO: SEE SELECTOR	
			SHEET 1 OF 1		

NO MANUAL REVISIONS/CHANGES ALLOWED

8

7

6

5

4

3

2

1