

8

7

6

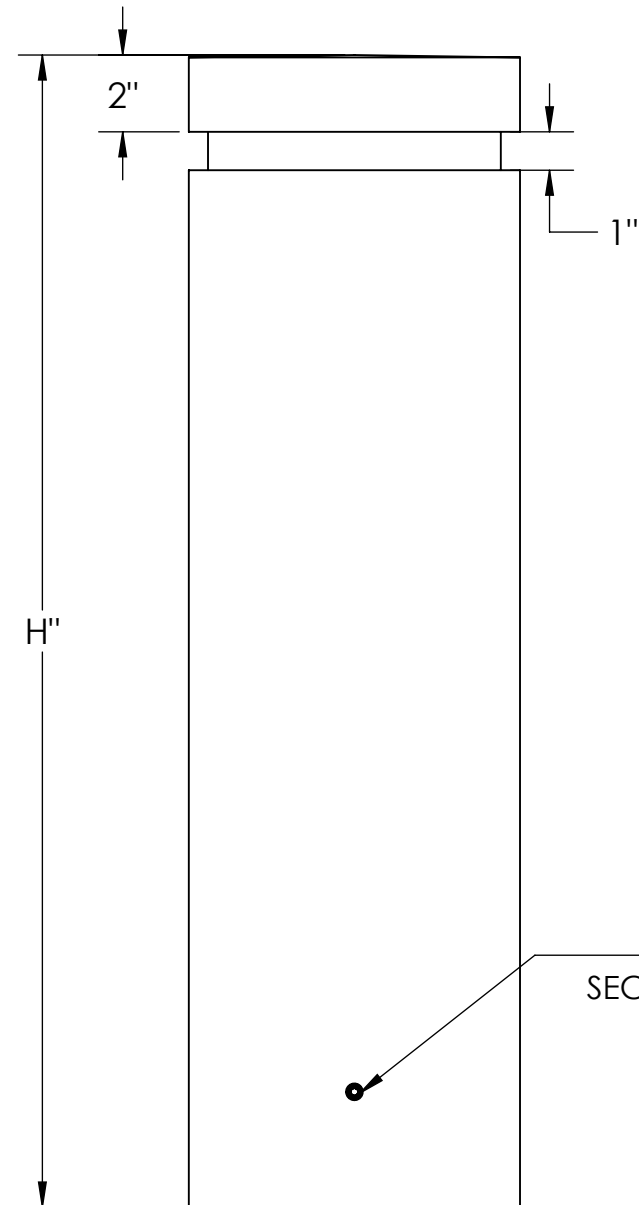
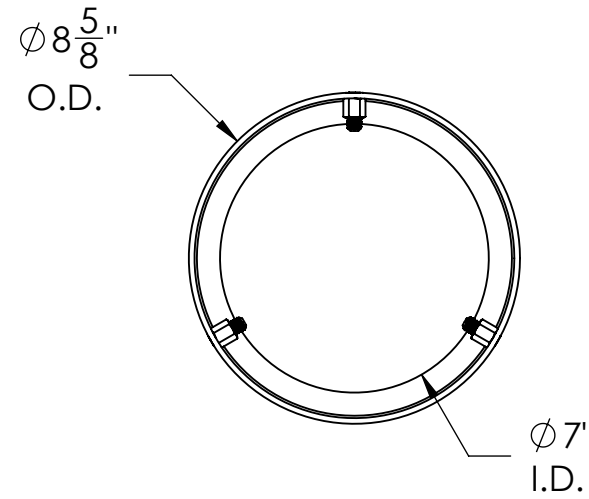
5

4

3

2

1



3 SET SCREWS FOR SECURING COVER TO BOLLARD


NOTE: OTHER MATERIALS/FINISHES AVAILABLE - CONTACT FOR MORE INFORMATION

COVER SELECTION					
SELECTION	PART NUMBER	COVER HEIGHT (H)	FITS BOLLARD SIZE (I.D.)	MATERIAL	COVER WEIGHT
	BCV4F10830-6	30"	6" NPS (6.625" O.D.)	304 SS	39LBS
	BCV4F10836-6	36"			46LBS
	BCV4F10840-6	40"			51LBS
	BCV4F10842-6	42"			53LBS
	BCV6F10830-6	30"		316L SS	39LBS
	BCV6F10836-6	36"			46LBS
	BCV6F10840-6	40"			51LBS
	BCV6F10842-6	42"			53LBS
APPROVAL SIGNATURE:					
DATE:					

NOTE: BOLLARD SHOULD BE WITHIN 1/4" - 1" SHORTER THAN OVERALL HEIGHT OF COVER

#4 CIRCUMFERENTIAL BRUSHED FINISH TYP ALL EXTERIOR SURFACES



	NAME	DATE	 BARRIER DEFENSE SYSTEMS <small>A SHAW STAINLESS COMPANY</small>	986 ROSEDALE DR. HIRAM, GA 30141 (678) 915-2080	
DRAWN BY	S.J.	9/24/2020			
CHECKED BY	J.HU.	9/24/2020	DESCRIPTION:		
PROPRIETARY AND CONFIDENTIAL THE INFORMATION CONTAINED IN THIS DRAWING IS THE SOLE PROPERTY OF SHAW STAINLESS LLC. ANY REPRODUCTION IN PART OR AS A WHOLE WITHOUT THE WRITTEN PERMISSION OF SHAW STAINLESS LLC IS PROHIBITED.			8" FLAT TOP 1 REVEAL BOLLARD COVER		
			REV. A	ITEM NO: SEE SELECTOR	
			SHEET 1 OF 1		

NO MANUAL REVISIONS/CHANGES ALLOWED

8

7

6

5

4

3

2

1