

8

7

6

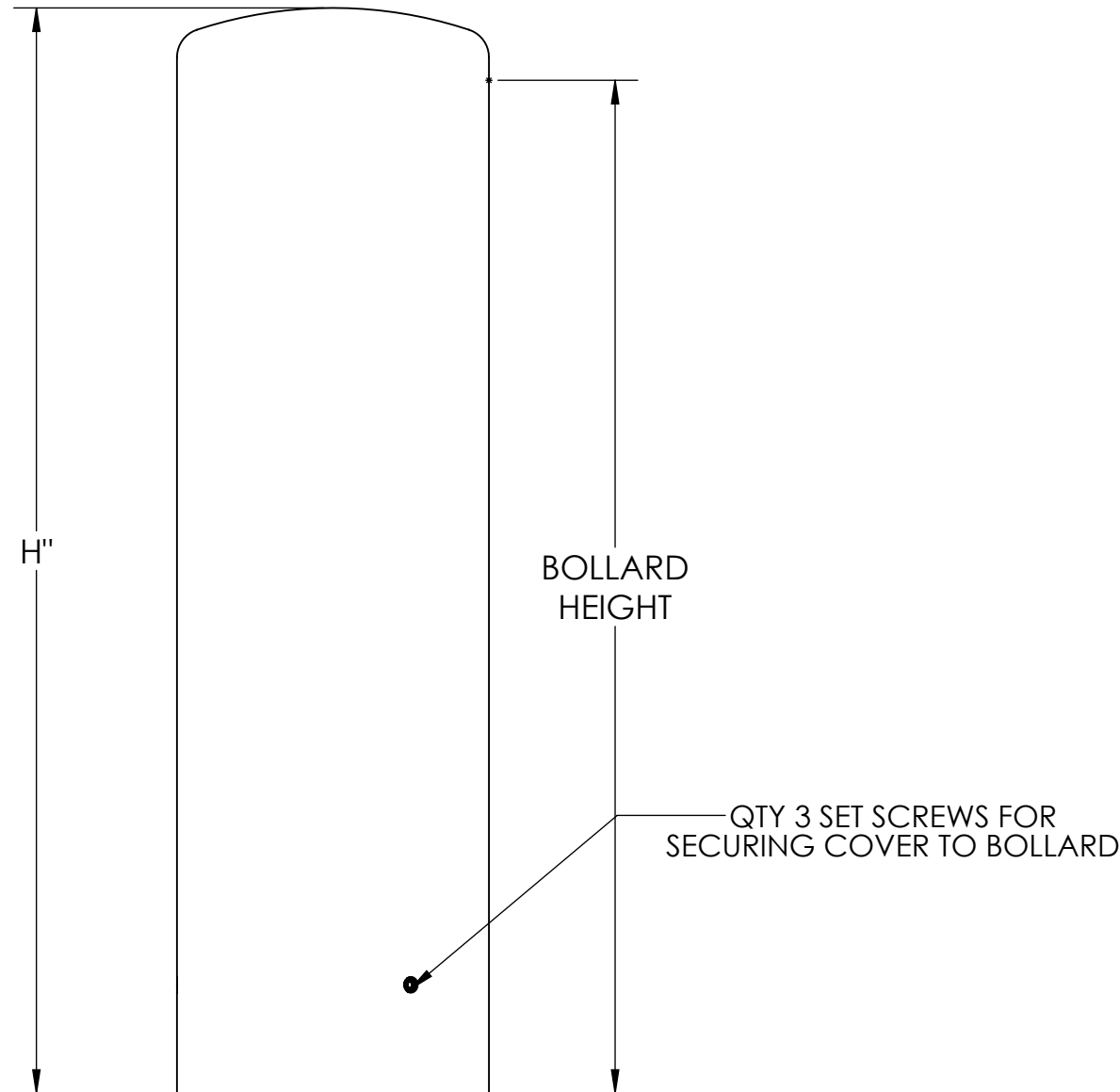
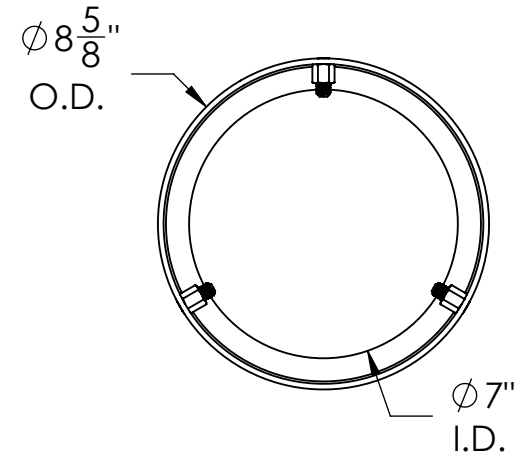
5

4

3

2

1



NOTE: OTHER MATERIALS/FINISHES AVAILABLE - CONTACT FOR MORE INFORMATION

COVER SELECTION

SELECTION	PART NUMBER	COVER HEIGHT (H)	BOLLARD HEIGHT	FITS BOLLARD SIZE (I.D.)	MATERIAL	COVER WEIGHT
	BC4D0830-6	30"	28"	6" NPS (6.625" O.D.)	304 SS	37LBS
	BC4D0836-6	36"	34"			43LBS
	BC4D0840-6	40"	38"			48LBS
	BC4D0842-6	42"	40"			50LBS
	BC6D0830-6	30"	28"		316L SS	37LBS
	BC6D0836-6	36"	34"			43LBS
	BC6D0840-6	40"	38"			48LBS
	BC6D0842-6	42"	40"			50LBS

APPROVAL SIGNATURE:

DATE:

TANGENT LINES SHOWN FOR CLARITY

#4 CIRCUMFERENTIAL BRUSHED FINISH



	NAME	DATE
DRAWN BY	S.J.	9/25/2020
CHECKED BY	J.HU.	9/25/2020

BARRIER DEFENSE SYSTEMS
A SHAW STAINLESS COMPANY
986 ROSEDALE DR.
HIRAM, GA 30141
(678) 915-2080

PROPRIETARY AND CONFIDENTIAL
THE INFORMATION CONTAINED IN THIS DRAWING IS THE SOLE PROPERTY OF SHAW STAINLESS LLC.
ANY REPRODUCTION IN PART OR AS A WHOLE WITHOUT THE WRITTEN PERMISSION OF SHAW STAINLESS LLC IS PROHIBITED.

DESCRIPTION: 8" DOME TOP BOLLARD COVER	
REV. A	ITEM NO: SEE SELECTOR

NO MANUAL REVISIONS/CHANGES ALLOWED

8

7

6

5

4

3

2

1