

8

7

6

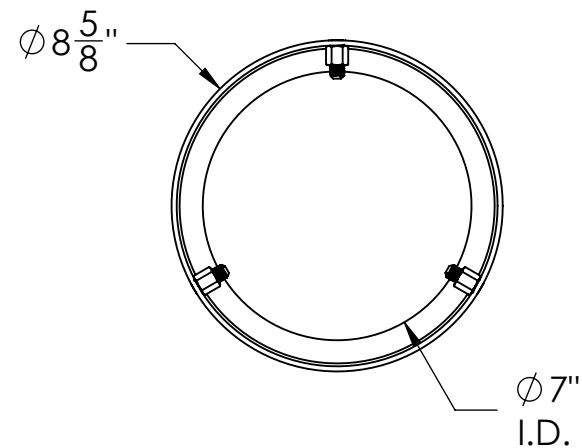
5

4

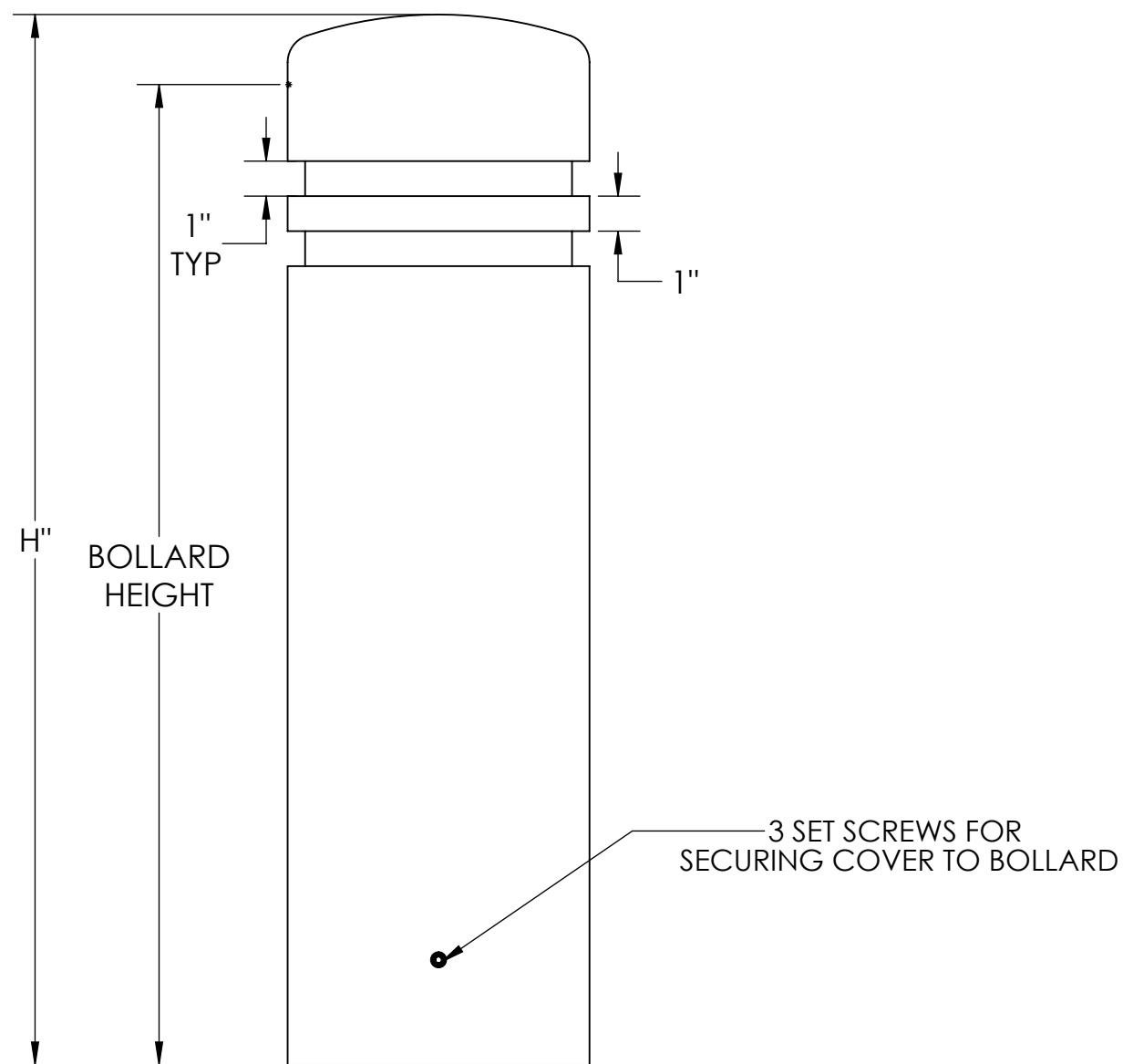
3

2


1



COVER SELECTION						
SELECTION	PART NUMBER	COVER HEIGHT (H)	BOLLARD HEIGHT	FITS BOLLARD SIZE (I.D.)	MATERIAL	COVER WEIGHT
	BCV4D20830-6	30"	28"	6" NPS (6.625" O.D.)	304 SS	38LBS
	BCV4D20836-6	36"	34"			45LBS
	BCV4D20840-6	40"	38"			50LBS
	BCV4D20842-6	42"	40"			52LBS
	BCV6D20830-6	30"	28"		316L SS	39LBS
	BCV6D20836-6	36"	34"			45LBS
	BCV6D20840-6	40"	38"			50LBS
	BCV6D20842-6	42"	40"			52LBS
APPROVAL SIGNATURE:						
DATE:						



NOTE: OTHER MATERIALS/FINISHES AVAILABLE - CONTACT FOR MORE INFORMATION

	NAME	DATE	 <b>BARRIER</b> DEFENSE SYSTEMS <small>A SHAW STAINLESS COMPANY</small>	986 ROSEDALE DR. HIRAM, GA 30141 (678) 915-2080
DRAWN BY	S.J.	9/24/2020		
CHECKED BY	J.HU.	9/24/2020	DESCRIPTION: 8" DOME TOP 2 REVEAL BOLLARD COVER	
PROPRIETARY AND CONFIDENTIAL THE INFORMATION CONTAINED IN THIS DRAWING IS THE SOLE PROPERTY OF SHAW STAINLESS LLC. ANY REPRODUCTION IN PART OR AS A WHOLE WITHOUT THE WRITTEN PERMISSION OF SHAW STAINLESS LLC IS PROHIBITED.			REV. <b>A</b>	ITEM NO: SEE SELECTOR
NO MANUAL REVISIONS/CHANGES ALLOWED			SHEET 1 OF 1	

8

7

6

5

4

3

2

1