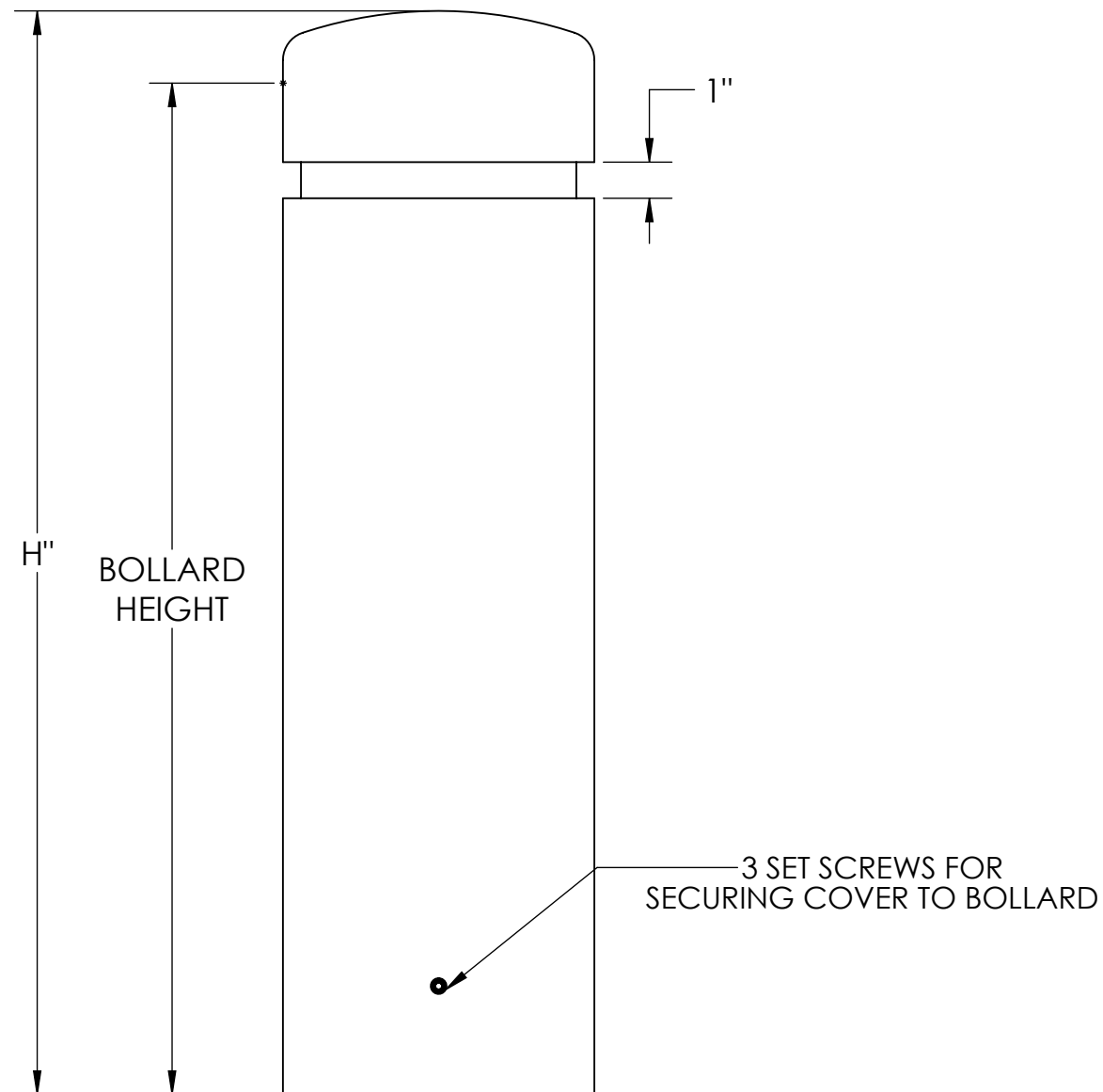
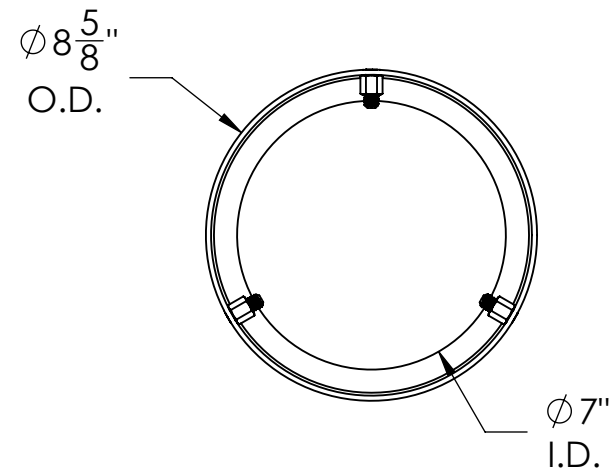



COVER SELECTION						
SELECTION	PART NUMBER	COVER HEIGHT (H)	BOLLARD HEIGHT	FITS BOLLARD SIZE (I.D.)	MATERIAL	COVER WEIGHT
	BCV4D10830-6	30"	28"	6" NPS (6.625" O.D.)	304 SS	37LBS
	BCV4D10836-6	36"	34"			44LBS
	BCV4D10840-6	40"	38"			49LBS
	BCV4D10842-6	42"	40"			51LBS
	BCV6D10830-6	30"	28"	6" NPS (6.625" O.D.)	316L SS	38LBS
	BCV6D10836-6	36"	34"			44LBS
	BCV6D10840-6	40"	38"			49LBS
	BCV6D10842-6	42"	40"			51LBS
APPROVAL SIGNATURE:						
DATE:						



NOTE: OTHER MATERIALS/FINISHES AVAILABLE - CONTACT FOR MORE INFORMATION

	NAME	DATE	 BARRIER DEFENSE SYSTEMS <small>A SHAW STAINLESS COMPANY</small>	986 ROSEDALE DR. HIRAM, GA 30141 (678) 915-2080
DRAWN BY	S.J.	9/24/2020		
CHECKED BY	J.HU.	9/24/2020	DESCRIPTION: 8" DOME TOP 1 REVEAL BOLLARD COVER	
PROPRIETARY AND CONFIDENTIAL THE INFORMATION CONTAINED IN THIS DRAWING IS THE SOLE PROPERTY OF SHAW STAINLESS LLC. ANY REPRODUCTION IN PART OR AS A WHOLE WITHOUT THE WRITTEN PERMISSION OF SHAW STAINLESS LLC IS PROHIBITED.			REV. A	ITEM NO: SEE SELECTOR
NO MANUAL REVISIONS/CHANGES ALLOWED			SHEET 1 OF 1	

