

8

7

6

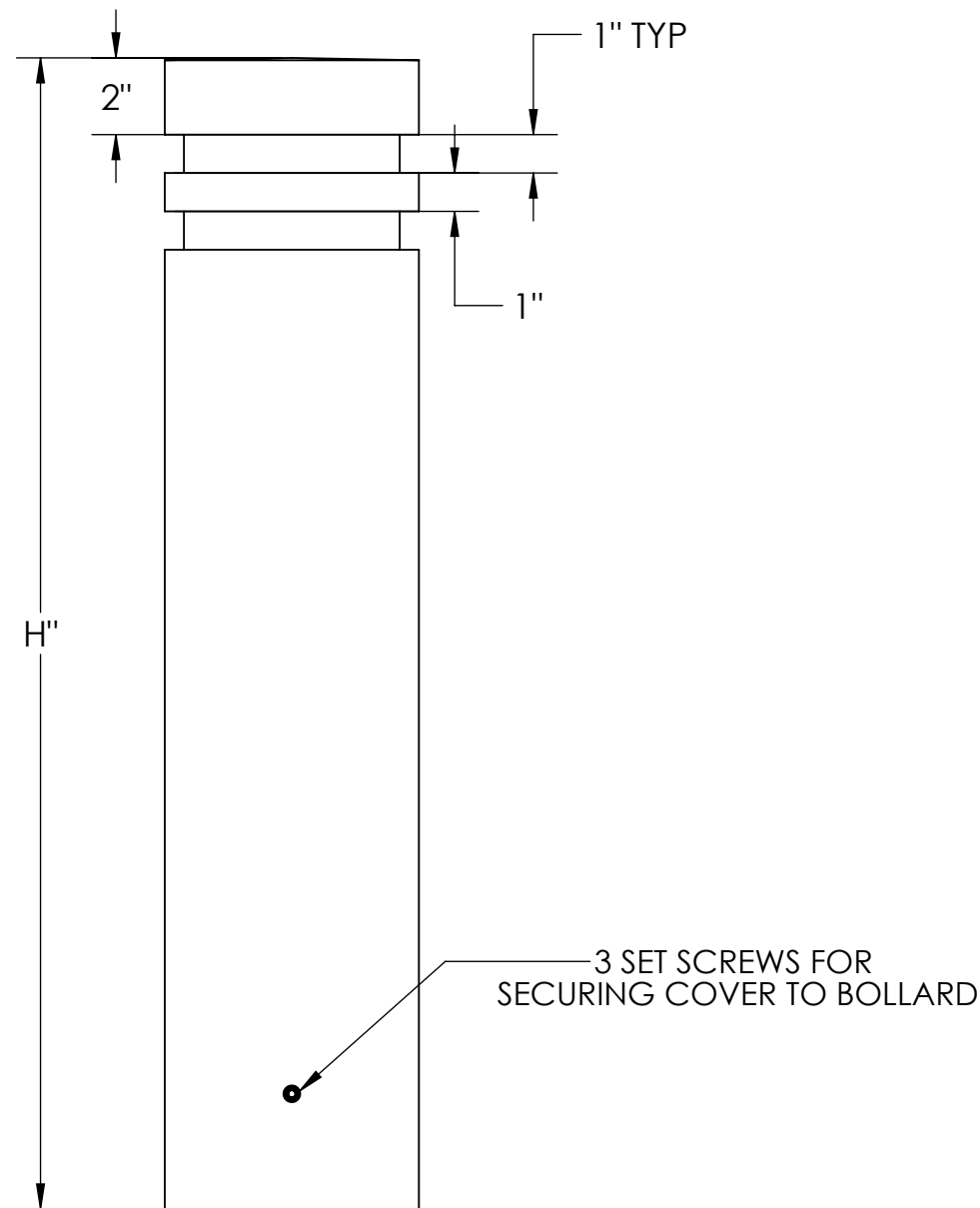
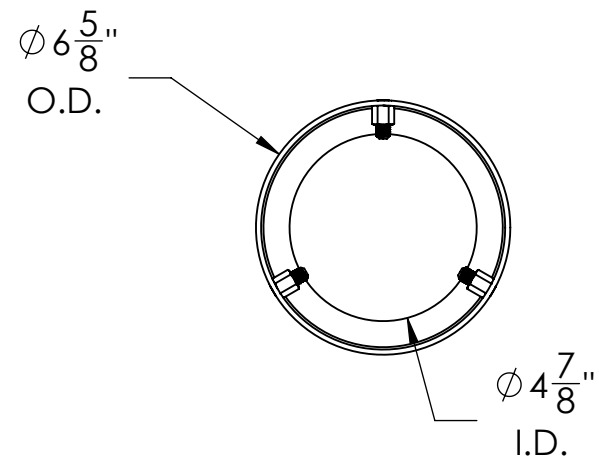
5

4

3

2

1



NOTE: OTHER MATERIALS/FINISHES AVAILABLE - CONTACT FOR MORE INFORMATION

COVER SELECTION

SELECTION	PART NUMBER	COVER HEIGHT (H)	BOLLARD HEIGHT	FITS BOLLARD SIZE (I.D.)	MATERIAL	COVER WEIGHT
	BCV4F20630-4	30"	28"	4" NPS (4.5" O.D.)	304 SS	28LBS
	BCV4F20636-4	36"	34"			33LBS
	BCV4F20640-4	40"	38"			36LBS
	BCV4F20642-4	42"	40"			38LBS
	BCV6F20630-4	30"	28"	4" NPS (4.5" O.D.)	316L SS	28LBS
	BCV6F20636-4	36"	34"			33LBS
	BCV6F20640-4	40"	38"			36LBS
	BCV6F20642-4	42"	40"			38LBS


APPROVAL SIGNATURE:

DATE:

NOTE: BOLLARD SHOULD BE WITHIN 1/4" - 1" SHORTER THAN OVERALL HEIGHT OF COVER

#4 CIRCUMFERENTIAL BRUSHED FINISH TYP ALL EXTERIOR SURFACES



	NAME	DATE	 BARRIER DEFENSE SYSTEMS <small>A SHAW STAINLESS COMPANY</small>	986 ROSEDALE DR. HIRAM, GA 30141 (678) 915-2080	
DRAWN BY	S.J.	9/22/2020			
CHECKED BY	J.HU.	9/22/2020	DESCRIPTION:		
PROPRIETARY AND CONFIDENTIAL THE INFORMATION CONTAINED IN THIS DRAWING IS THE SOLE PROPERTY OF SHAW STAINLESS LLC. ANY REPRODUCTION IN PART OR AS A WHOLE WITHOUT THE WRITTEN PERMISSION OF SHAW STAINLESS LLC IS PROHIBITED.			6" FLAT TOP 2 REVEAL BOLLARD COVER		
REV. A			ITEM NO: SEE SELECTOR		
			SHEET 1 OF 1		

NO MANUAL REVISIONS/CHANGES ALLOWED

8

7

6

5

4

3

2

1