

8

7

6

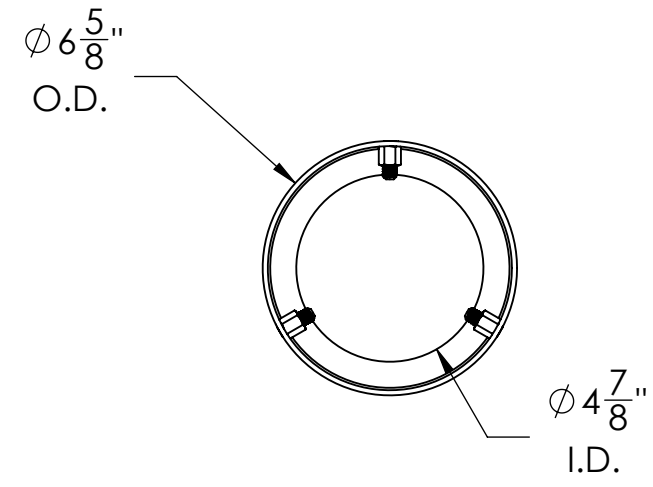
5

4

3

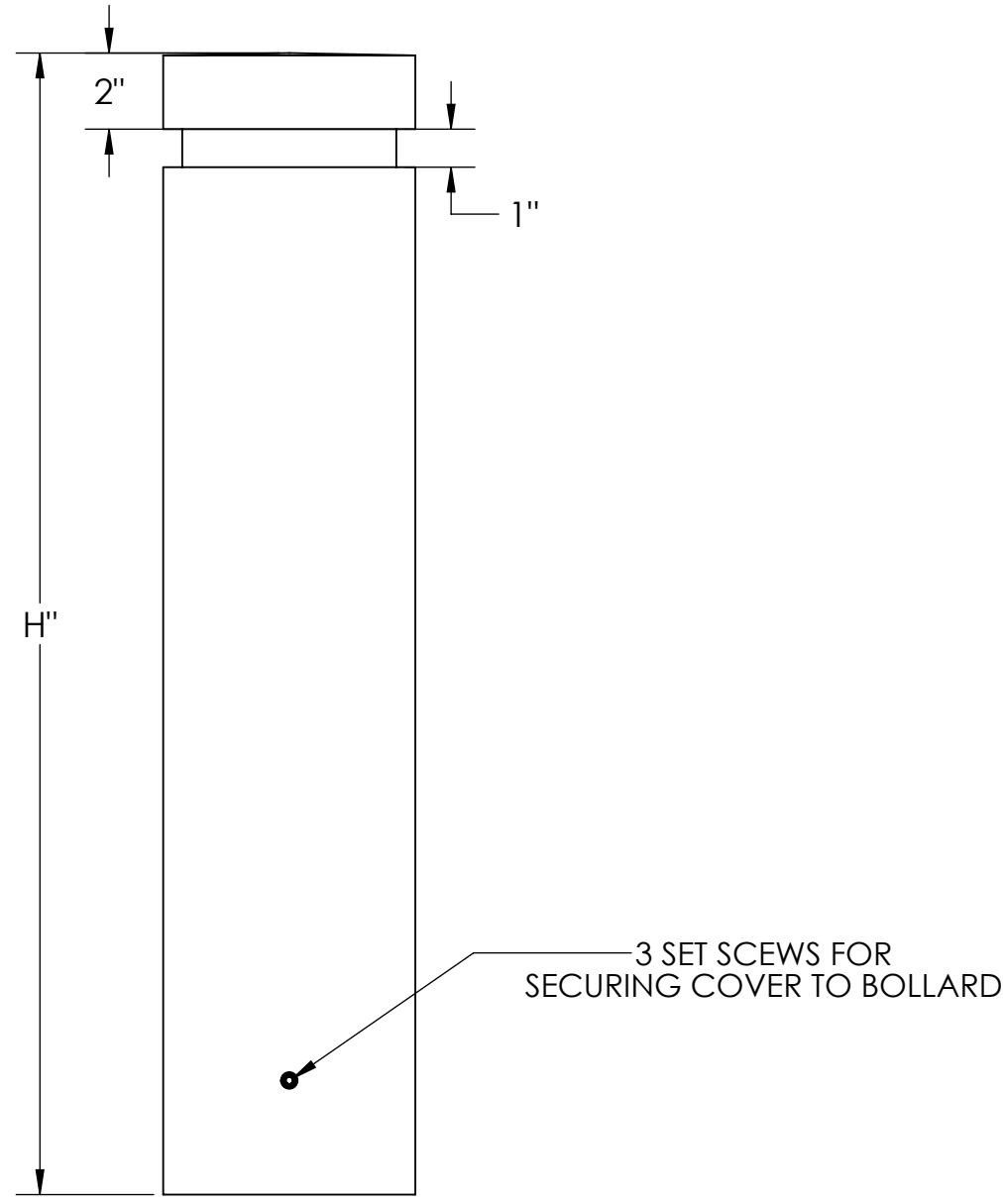
2

1



COVER SELECTION					
SELECTION	PART NUMBER	COVER HEIGHT (H)	FITS BOLLARD SIZE (I.D.)	MATERIAL	COVER WEIGHT
	BCV4F10630-4	30"	4" NPS (4.5" O.D.)	304 SS	27LBS
	BCV4F10636-4	36"			32LBS
	BCV4F10640-4	40"			35LBS
	BCV4F10642-4	42"			37LBS
	BCV6F10630-4	30"		316L SS	27LBS
	BCV6F10636-4	36"			32LBS
	BCV6F10640-4	40"			35LBS
	BCV6F10642-4	42"			37LBS
APPROVAL SIGNATURE:					
DATE:					


NOTE: BOLLARD SHOULD BE WITHIN 1/4" - 1" SHORTER THAN OVERALL HEIGHT OF COVER



#4 CIRCUMFERENTIAL BRUSHED FINISH ALL EXTERIOR SURFACES



NOTE: OTHER MATERIALS/FINISHES AVAILABLE - CONTACT FOR MORE INFORMATION

	NAME	DATE	 BARRIER DEFENSE SYSTEMS <small>A SHAW STAINLESS COMPANY</small>	986 ROSEDALE DR. HIRAM, GA 30141 (678) 915-2080	
DRAWN BY	S.J.	9/22/2020			
CHECKED BY	J.HU.	9/22/2020	DESCRIPTION:		
PROPRIETARY AND CONFIDENTIAL THE INFORMATION CONTAINED IN THIS DRAWING IS THE SOLE PROPERTY OF SHAW STAINLESS LLC. ANY REPRODUCTION IN PART OR AS A WHOLE WITHOUT THE WRITTEN PERMISSION OF SHAW STAINLESS LLC IS PROHIBITED.			6" FLAT TOP 1 REVEAL BOLLARD COVER		
			REV. A	ITEM NO: SEE SELECTOR	
			SHEET 1 OF 1		

NO MANUAL REVISIONS/CHANGES ALLOWED

8

7

6

5

4

3

2

1