

8

7

6

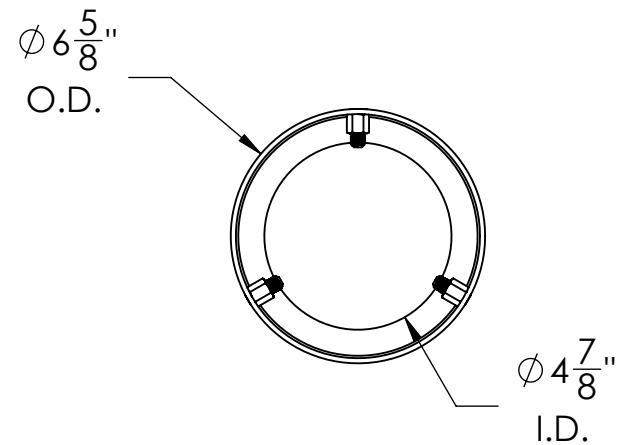
5

4

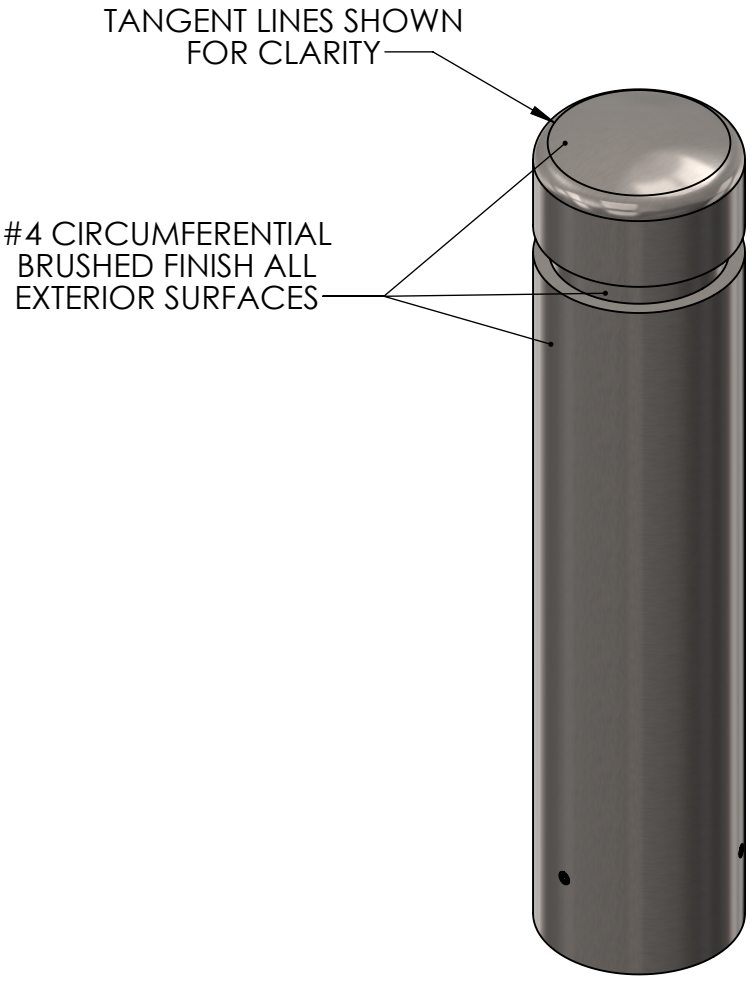
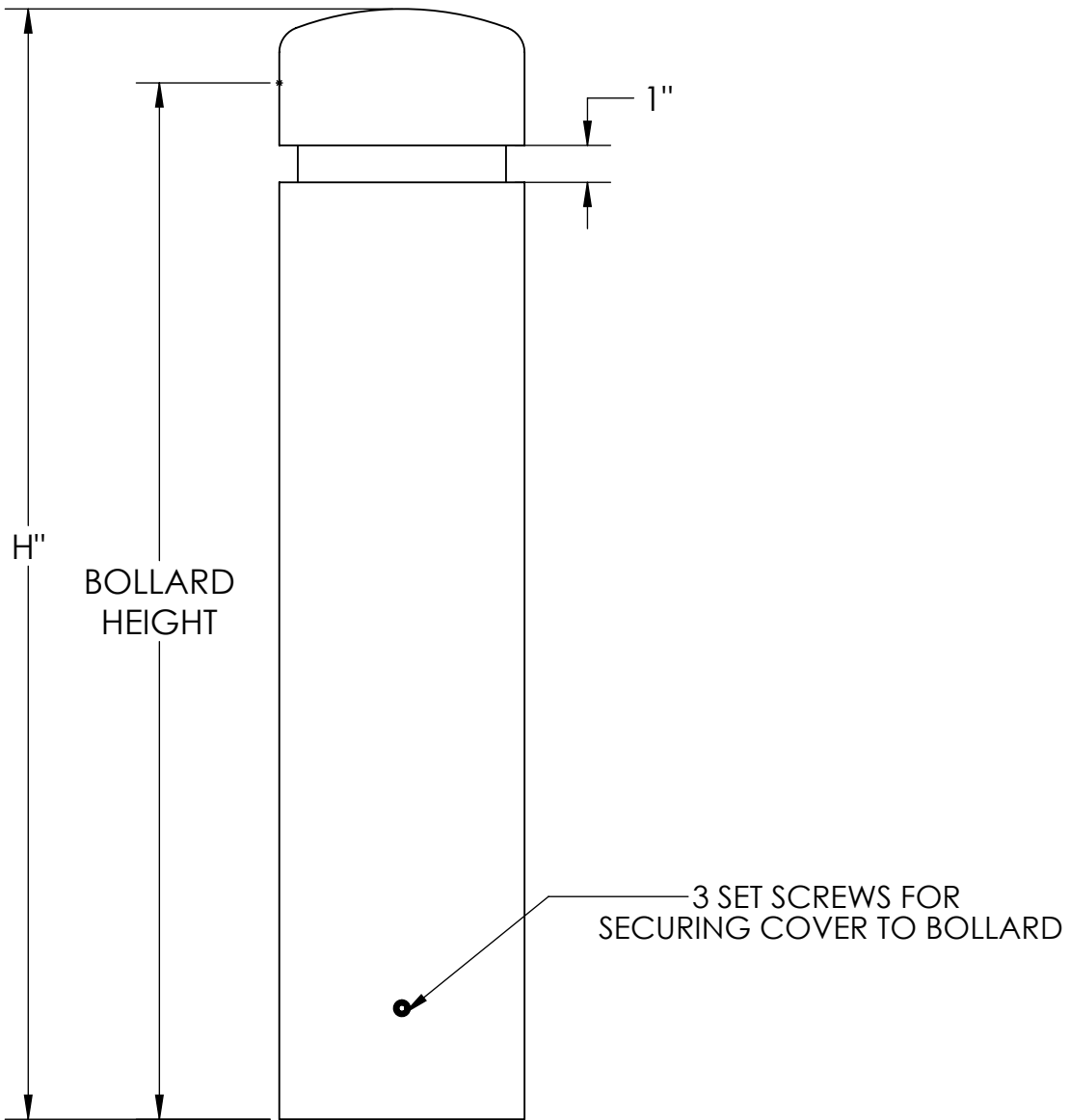
3

2


1



COVER SELECTION						
SELECTION	PART NUMBER	COVER HEIGHT (H)	BOLLARD HEIGHT	FITS BOLLARD SIZE (I.D.)	MATERIAL	COVER WEIGHT
	BCV4D10630-4	30"	28"	4" NPS (4.5" O.D.)	304 SS	26LBS
	BCV4D10636-4	36"	34"			31LBS
	BCV4D10640-4	40"	38"			34LBS
	BCV4D10642-4	42"	40"			35LBS
	BCV6D10630-4	30"	28"		316L SS	26LBS
	BCV6D10636-4	36"	34"			31LBS
	BCV6D10640-4	40"	38"			34LBS
	BCV6D10642-4	42"	40"			36LBS
APPROVAL SIGNATURE:						
DATE:						



NOTE: OTHER MATERIALS/FINISHES AVAILABLE - CONTACT FOR MORE INFORMATION

	NAME	DATE	 <b>BARRIER DEFENSE SYSTEMS</b> <small>A SHAW STAINLESS COMPANY</small>	986 ROSEDALE DR. HIRAM, GA 30141 (678) 915-2080	
DRAWN BY	S.J.	9/22/2020			
CHECKED BY	J.HU.	9/22/2020	DESCRIPTION: 6" DOME TOP 1 REVEAL BOLLARD COVER		
PROPRIETARY AND CONFIDENTIAL THE INFORMATION CONTAINED IN THIS DRAWING IS THE SOLE PROPERTY OF SHAW STAINLESS LLC. ANY REPRODUCTION IN PART OR AS A WHOLE WITHOUT THE WRITTEN PERMISSION OF SHAW STAINLESS LLC IS PROHIBITED.			REV. <b>A</b>	ITEM NO: SEE SELECTOR	
NO MANUAL REVISIONS/CHANGES ALLOWED			SHEET 1 OF 1		

8

7

6

5

4

3

2

1