

8

7

6

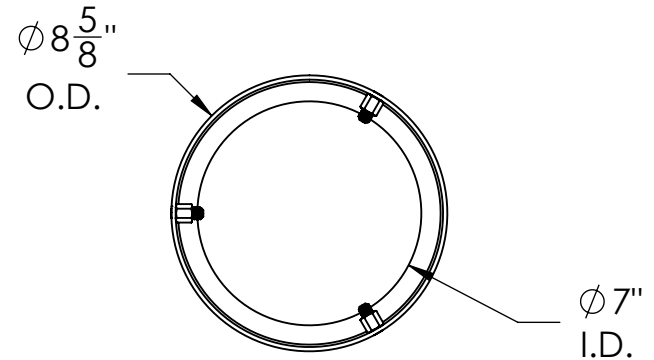
5

4

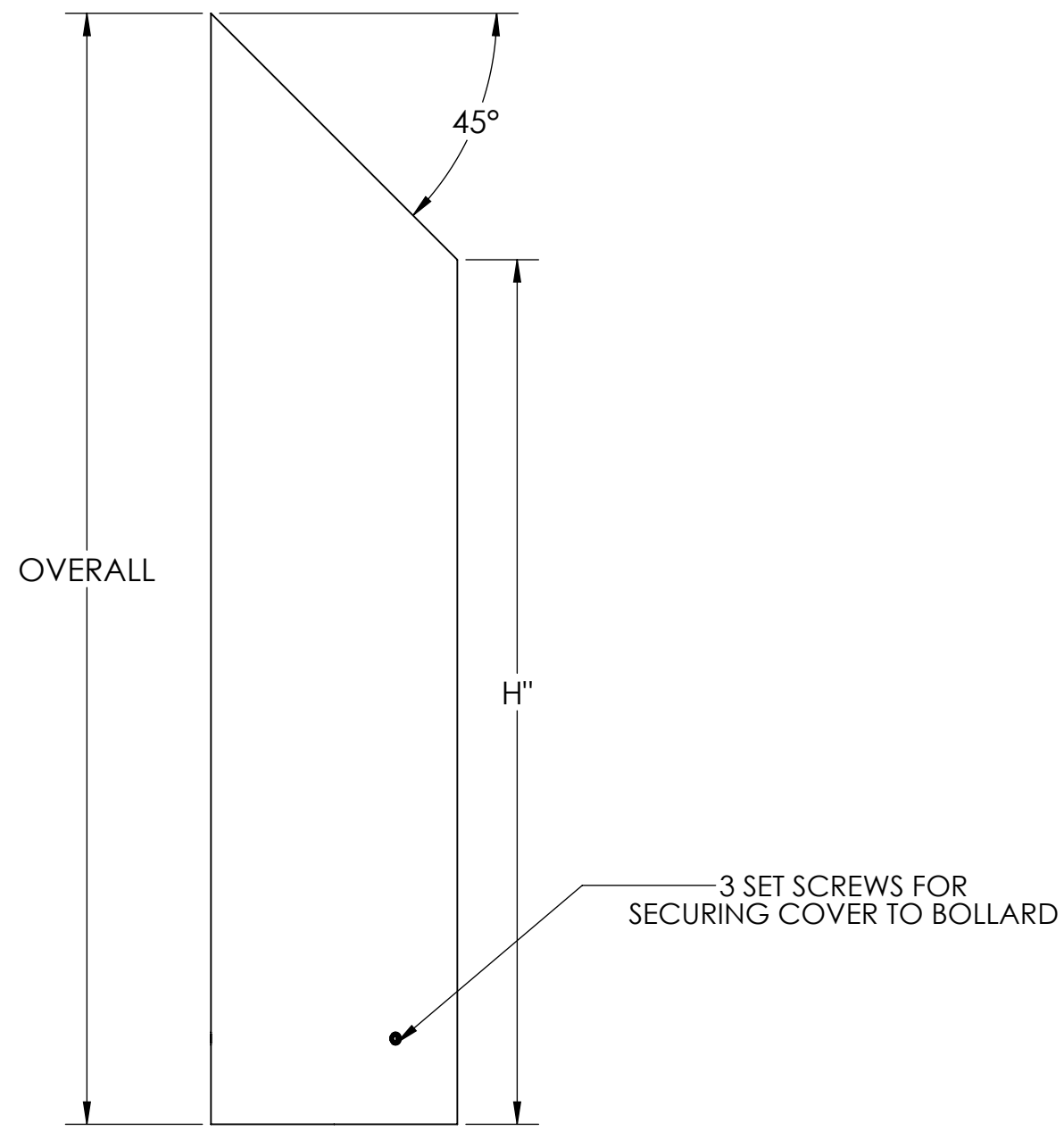
3

2


1



COVER SELECTION						
SELECTION	PART NUMBER	BOLLARD HEIGHT (H)	OVERALL	FITS BOLLARD SIZE (I.D.)	MATERIAL	COVER WEIGHT
	BC4S0830-6	30"	38.875"	6" NPS (6.625" O.D.)	304 SS	45LBS
	BC4S0836-6	36"	44.875"			51LBS
	BC4S0840-6	40"	48.875"			56LBS
	BC4S0842-6	42"	50.875"			58LBS
	BC6S0830-6	30"	38.875"		316L SS	45LBS
	BC6S0836-6	36"	44.875"			52LBS
	BC6S0840-6	40"	48.875"			56LBS
	BC6S0842-6	42"	50.875"			59LBS
APPROVAL SIGNATURE:						
DATE:						



NOTE: OTHER MATERIALS/FINISHES AVAILABLE - CONTACT FOR MORE INFORMATION

	NAME	DATE	 <b>BARRIER DEFENSE SYSTEMS</b> <small>A SHAW STAINLESS COMPANY</small>	986 ROSEDALE DR. HIRAM, GA 30141 (678) 915-2080	
DRAWN BY	S.J.	9/28/2020			
CHECKED BY	J.HU.	9/28/2020	DESCRIPTION: 45 DEGREE 8" SLOPE TOP BOLLARD COVER		
PROPRIETARY AND CONFIDENTIAL THE INFORMATION CONTAINED IN THIS DRAWING IS THE SOLE PROPERTY OF SHAW STAINLESS LLC. ANY REPRODUCTION IN PART OR AS A WHOLE WITHOUT THE WRITTEN PERMISSION OF SHAW STAINLESS LLC IS PROHIBITED.			REV. <b>A</b>	ITEM NO: SEE SELECTOR	
NO MANUAL REVISIONS/CHANGES ALLOWED			SHEET 1 OF 1		

8

7

6

5

4

3

2

1