

8

7

6

5

4

3

2

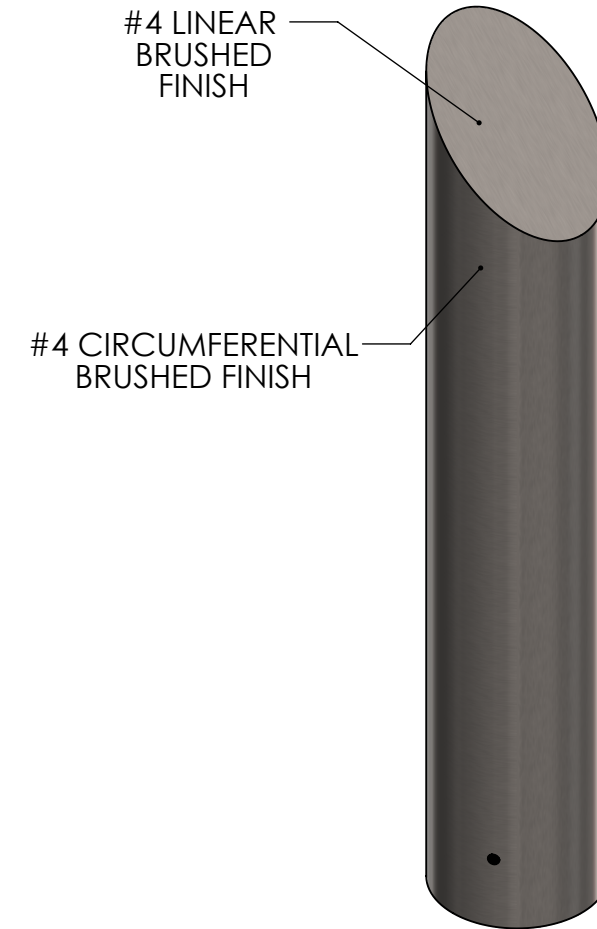
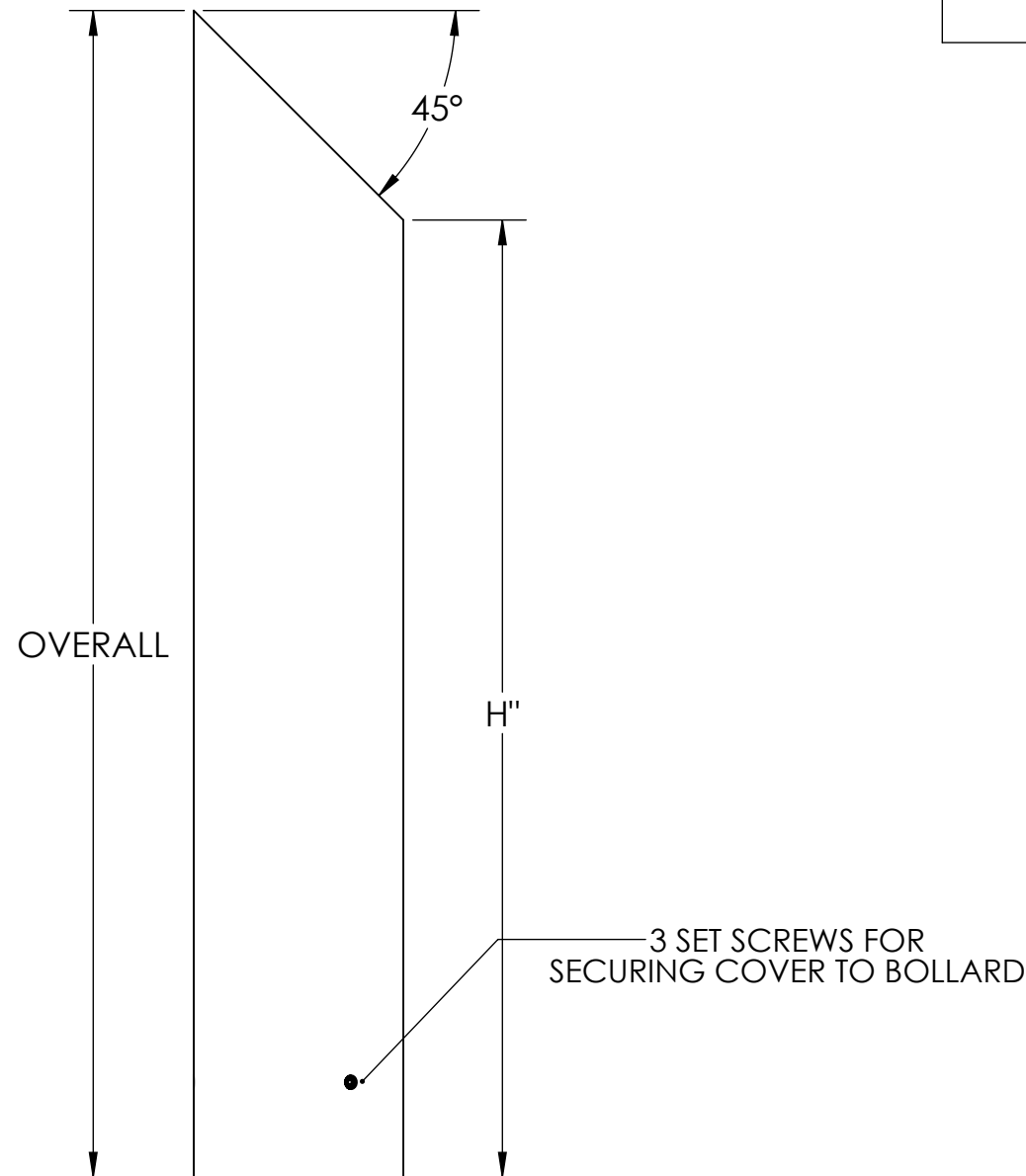
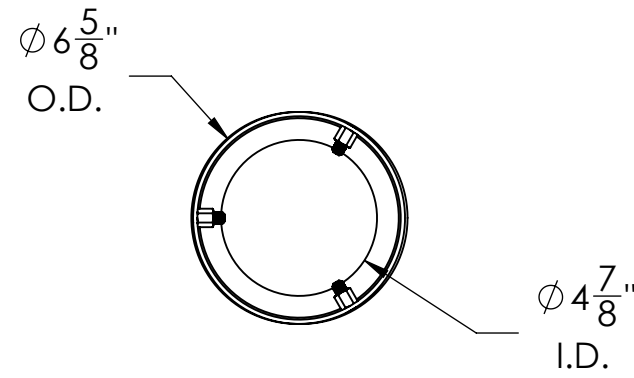
1

COVER SELECTION

SELECTION	PART NUMBER	BOLLARD HEIGHT(H)	OVERALL	FITS BOLLARD SIZE (I.D.)	MATERIAL	COVER WEIGHT
	BC4S0630-4	30"	36.875"	4" NPS (4.5" O.D.)	304 SS	30LBS
	BC4S0636-4	36"	42.875"			35LBS
	BC4S0640-4	40"	46.875"			38LBS
	BC4S0642-4	42"	48.875"			39LBS
	BC6S0630-4	30"	36.875"		316L SS	30LBS
	BC6S0636-4	36"	42.875"			35LBS
	BC6S0640-4	40"	46.875"			38LBS
	BC6S0642-4	42"	48.875"			40LBS

APPROVAL SIGNATURE:

DATE:



NOTE: OTHER MATERIALS/FINISHES AVAILABLE - CONTACT FOR MORE INFORMATION

NO MANUAL REVISIONS/CHANGES ALLOWED

	NAME	DATE
DRAWN BY	S.J.	2/20/2020
CHECKED BY	J.HU.	2/20/2020

BARRIER DEFENSE SYSTEMS
A SHAW STAINLESS COMPANY

986 ROSEDALE DR.
HIRAM, GA 30141
(678) 915-2080

PROPRIETARY AND CONFIDENTIAL
THE INFORMATION CONTAINED IN THIS
DRAWING IS THE SOLE PROPERTY OF SHAW
STAINLESS LLC.
ANY REPRODUCTION IN PART OR AS A
WHOLE WITHOUT THE WRITTEN PERMISSION
OF SHAW STAINLESS LLC IS PROHIBITED.

DESCRIPTION:
45 DEGREE 6" SLOPE TOP BOLLARD COVER

REV. A	ITEM NO: SEE SELECTOR
---------------	--------------------------

8

7

6

5

4

3

2

1