

8

7

6

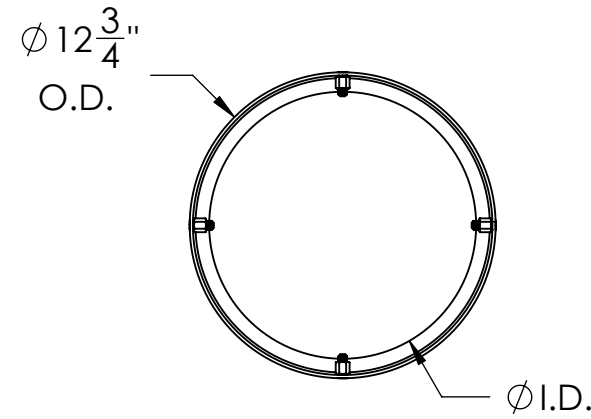
5

4

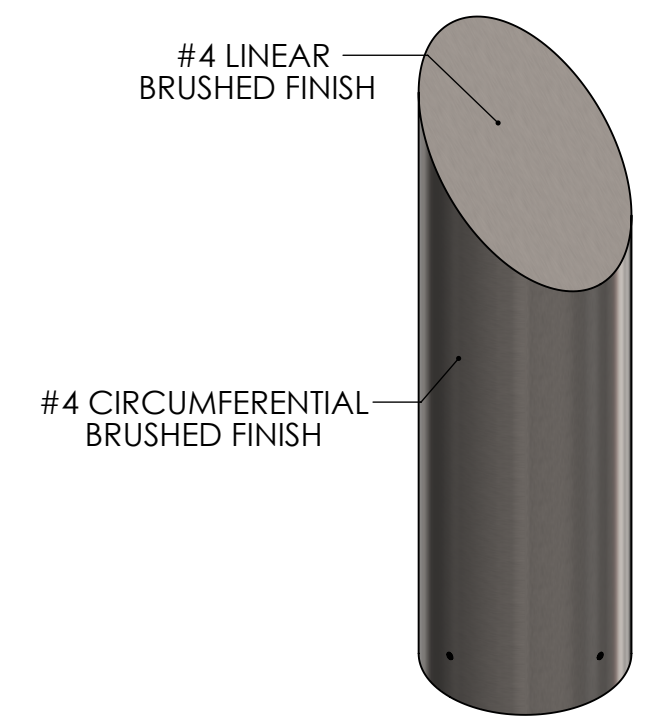
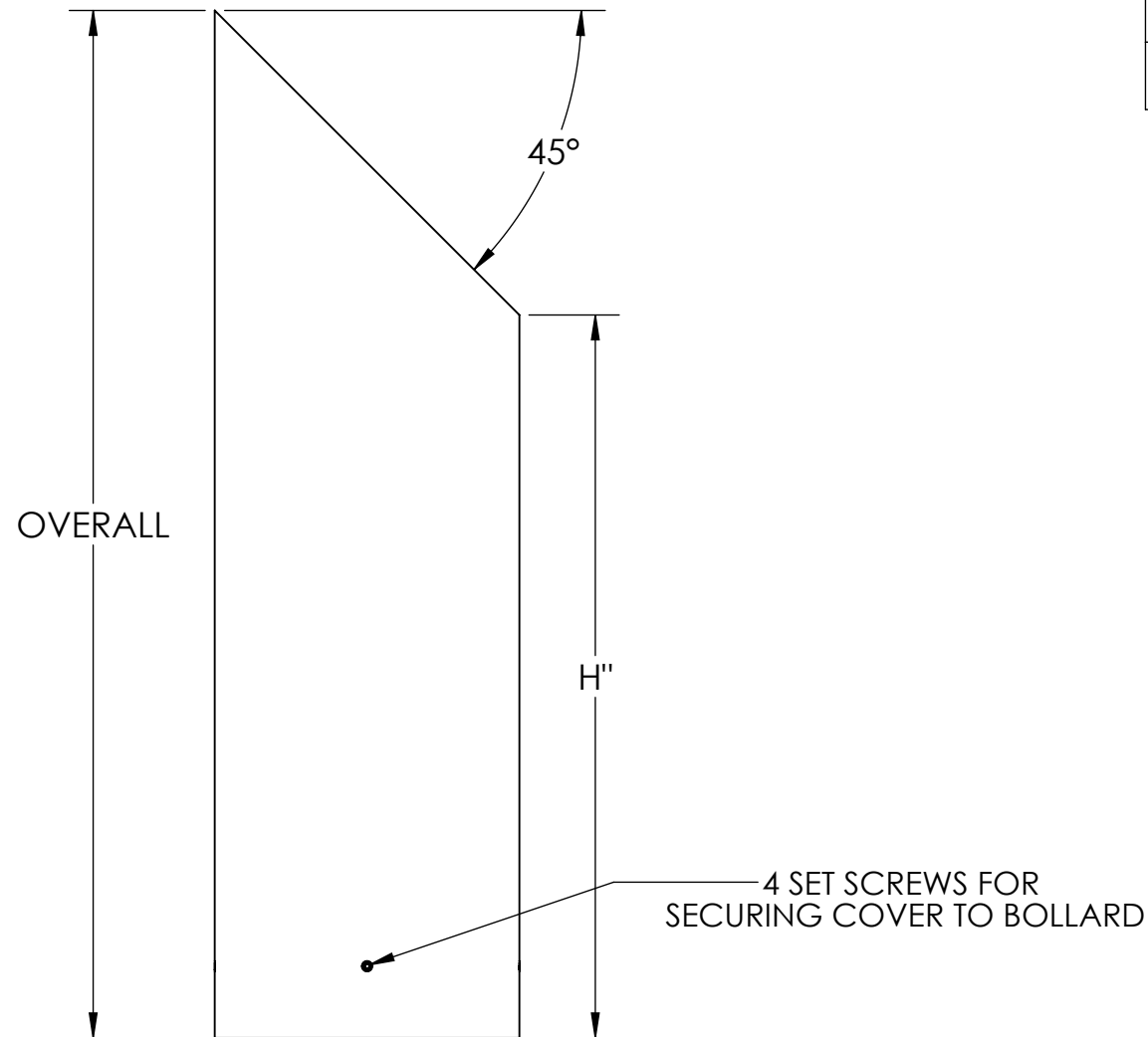
3

2


1



COVER SELECTION							
SELECTION	PART NUMBER	BOLLARD HEIGHT (H)	OVERALL	I.D.	FITS BOLLARD SIZE (I.D.)	MATERIAL	COVER WEIGHT
	BC4S1230-8	30"	42.875"	9"	8" NPS (8.625" O.D.)	304 SS	92LBS
	BC4S1236-8	36"	48.875"	9"			104LBS
	BC4S1240-8	40"	52.875"	9"			112LBS
	BC4S1242-8	42"	54.875"	9"			117LBS
	BC4S1230-10	30"	42.875"	11-1/8"	10" NPS (10.75" O.D.)		89LBS
	BC4S1236-10	36"	48.875"	11-1/8"			102LBS
	BC4S1240-10	40"	52.875"	11-1/8"			110LBS
	BC4S1242-10	42"	54.875"	11-1/8"			114LBS
	BC6S1230-8	30"	42.875"	9"	8" NPS (8.625" O.D.)	316L SS	92LBS
	BC6S1236-8	36"	48.875"	9"			104LBS
	BC6S1240-8	40"	52.875"	9"			112LBS
	BC6S1242-8	42"	54.875"	9"			117LBS
	BC6S1230-10	30"	42.875"	11-1/8"	10" NPS (10.75" O.D.)		89LBS
	BC6S1236-10	36"	48.875"	11-1/8"			102LBS
	BC6S1240-10	40"	52.875"	11-1/8"			110LBS
	BC6S1242-10	42"	54.875"	11-1/8"			114LBS
APPROVAL SIGNATURE:							
DATE:							



NOTE: OTHER MATERIALS/FINISHES AVAILABLE - CONTACT FOR MORE INFORMATION

	NAME	DATE	 BARRIER DEFENSE SYSTEMS <small>A SHAW STAINLESS COMPANY</small>	986 ROSEDALE DR. HIRAM, GA 30141 (678) 915-2080
DRAWN BY	S.J.	10/6/2020		
CHECKED BY	J.HU.	10/6/2020		
PROPRIETARY AND CONFIDENTIAL THE INFORMATION CONTAINED IN THIS DRAWING IS THE SOLE PROPERTY OF SHAW STAINLESS LLC. ANY REPRODUCTION IN PART OR AS A WHOLE WITHOUT THE WRITTEN PERMISSION OF SHAW STAINLESS LLC IS PROHIBITED.			DESCRIPTION: 45 DEGREE 12" SLOPE TOP BOLLARD COVER	
REV.	A	ITEM NO:	SEE SELECTOR	
				SHEET 1 OF 1

8

7

6

5

4

3

2

1