

8

7

6

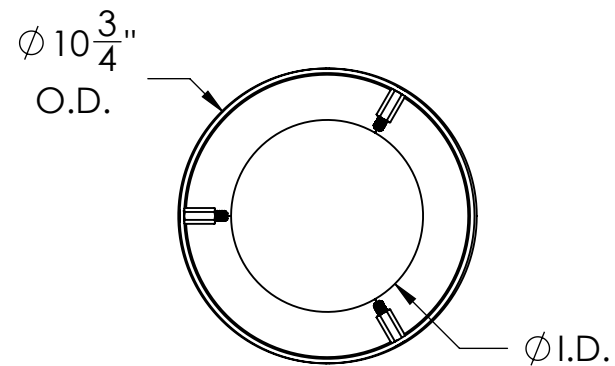
5

4

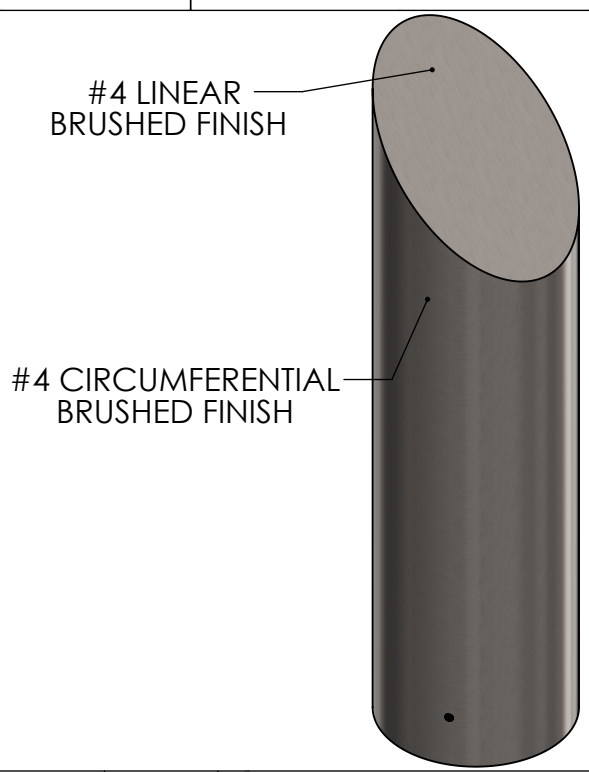
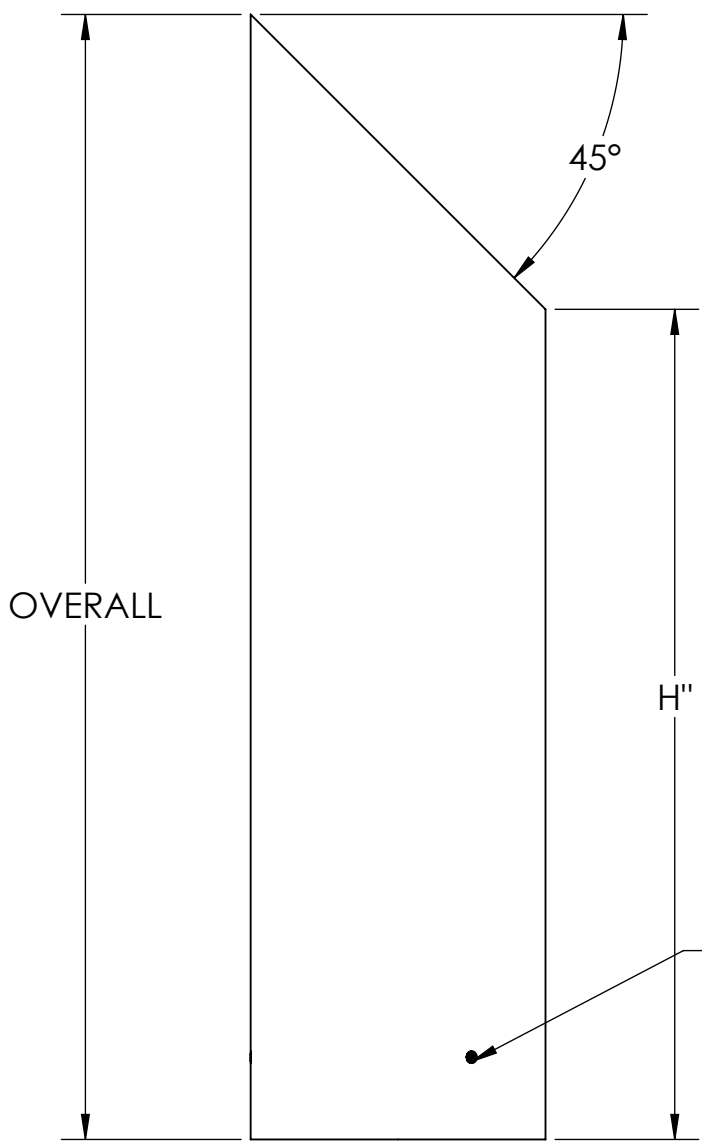
3

2

1



COVER SELECTION							
SELECTION	PART NUMBER	BOLLARD HEIGHT (H)	OVERALL	I.D.	FITS BOLLARD SIZE (I.D.)	MATERIAL	COVER WEIGHT
	BC4S1030-6	30"	41"	7"	6" NPS (6.625" O.D.)	304 SS	66LBS
	BC4S1036-6	36"	47"	7"			76LBS
	BC4S1040-6	40"	51"	7"			82LBS
	BC4S1042-6	42"	53"	7"			85LBS
	BC4S1030-8	30"	41"	9"	8" NPS (8.625" O.D.)		68LBS
	BC4S1036-8	36"	47"	9"			77LBS
	BC4S1040-8	40"	51"	9"			84LBS
	BC4S1042-8	42"	53"	9"			87LBS
	BC6S1030-6	30"	41"	7"	6" NPS (6.625" O.D.)	316L SS	66LBS
	BC6S1036-6	36"	47"	7"			76LBS
	BC6S1040-6	40"	51"	7"			82LBS
	BC6S1042-6	42"	53"	7"			85LBS
	BC6S1030-8	30"	41"	9"	8" NPS (8.625" O.D.)		68LBS
	BC6S1036-8	36"	47"	9"			77LBS
	BC6S1040-8	40"	51"	9"			84LBS
	BC6S1042-8	42"	53"	9"			87LBS
APPROVAL SIGNATURE:							
DATE:							



3 SET SCREWS FOR SECURING COVER TO BOLLARD



NOTE: OTHER MATERIALS/FINISHES AVAILABLE - CONTACT FOR MORE INFORMATION

NO MANUAL REVISIONS/CHANGES ALLOWED

	NAME	DATE	 BARRIER DEFENSE SYSTEMS <small>A SHAW STAINLESS COMPANY</small>	986 ROSEDALE DR. HIRAM, GA 30141 (678) 915-2080
DRAWN BY	S.J.	10/5/2020		
CHECKED BY	J.HU.	10/5/2020	DESCRIPTION: 45 DEGREE 10" SLOPE TOP BOLLARD COVER	
PROPRIETARY AND CONFIDENTIAL THE INFORMATION CONTAINED IN THIS DRAWING IS THE SOLE PROPERTY OF SHAW STAINLESS LLC. ANY REPRODUCTION IN PART OR AS A WHOLE WITHOUT THE WRITTEN PERMISSION OF SHAW STAINLESS LLC IS PROHIBITED.			REV. A	ITEM NO: SEE SELECTOR
			SHEET 1 OF 1	

8

7

6

5

4

3

2

1