

8

7

6

5

4

3

2

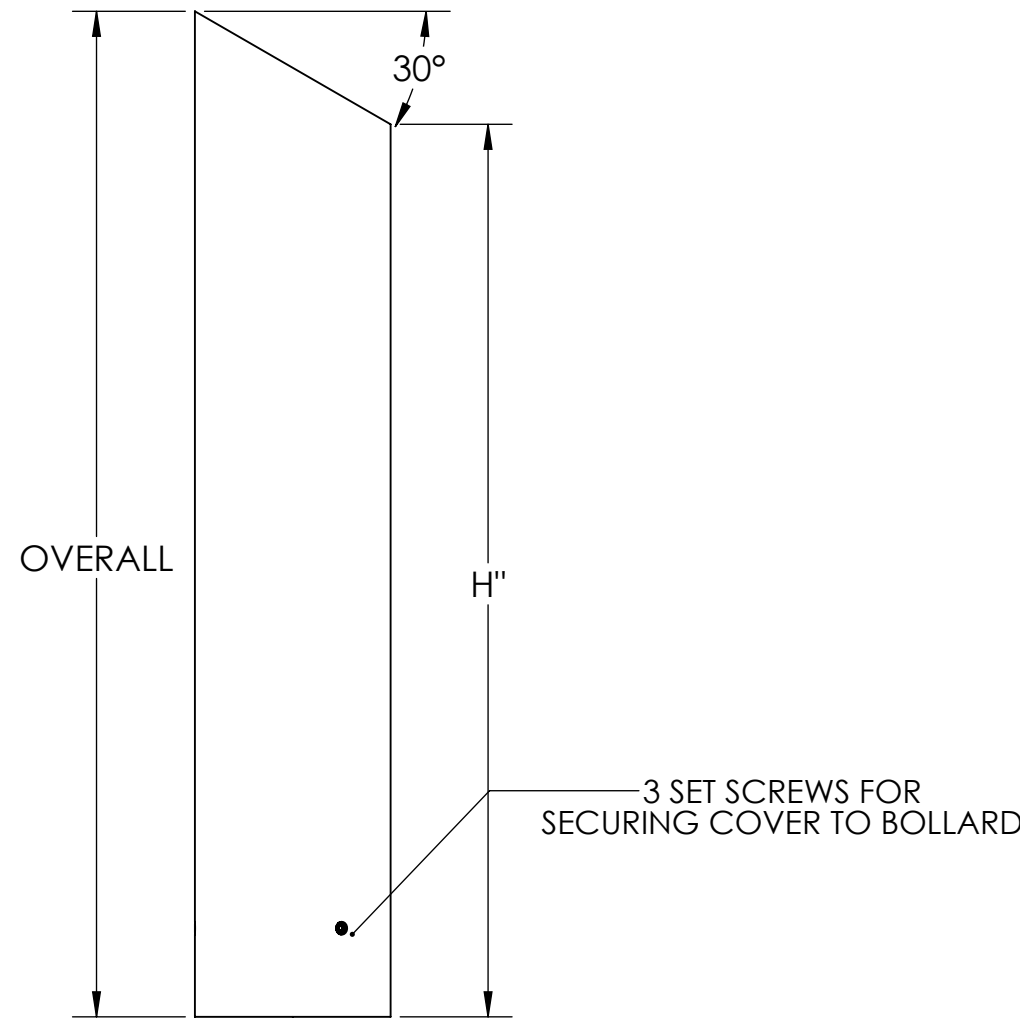
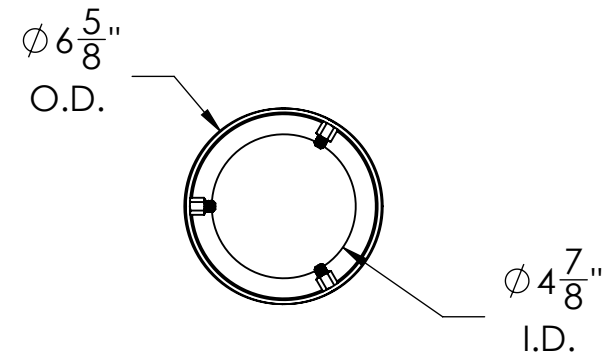
1

COVER SELECTION

SELECTION	PART NUMBER	BOLLARD HEIGHT(H)	OVERALL	FITS BOLLARD SIZE (I.D.)	MATERIAL	COVER WEIGHT
	BC4T0630-4	30"	34"	4" NPS (4.5" O.D.)	304 SS	29LBS
	BC4T0636-4	36"	40"			33LBS
	BC4T0640-4	40"	44"			36LBS
	BC4T0642-4	42"	46"			38LBS
	BC6T0630-4	30"	34"	4" NPS (4.5" O.D.)	316L SS	28LBS
	BC6T0636-4	36"	40"			33LBS
	BC6T0640-4	40"	44"			36LBS
	BC6T0642-4	42"	46"			37LBS

APPROVAL SIGNATURE:

DATE:



NOTE: OTHER MATERIALS/FINISHES AVAILABLE - CONTACT FOR MORE INFORMATION

NO MANUAL REVISIONS/CHANGES ALLOWED

	NAME	DATE
DRAWN BY	S.J.	2/20/2020
CHECKED BY	J.HU.	2/20/2020

**BARRIER DEFENSE SYSTEMS**  
A SHAW STAINLESS COMPANY

986 ROSEDALE DR.  
HIRAM, GA 30141  
(678) 915-2080

PROPRIETARY AND CONFIDENTIAL  
THE INFORMATION CONTAINED IN THIS  
DRAWING IS THE SOLE PROPERTY OF SHAW  
STAINLESS LLC.  
ANY REPRODUCTION IN PART OR AS A  
WHOLE WITHOUT THE WRITTEN PERMISSION  
OF SHAW STAINLESS LLC IS PROHIBITED.

DESCRIPTION:  
30 DEGREE 6" SLOPE TOP BOLLARD COVER

REV. **A** ITEM NO: SEE SELECTOR

8

7

6

5

4

3

2

1