

8

7

6

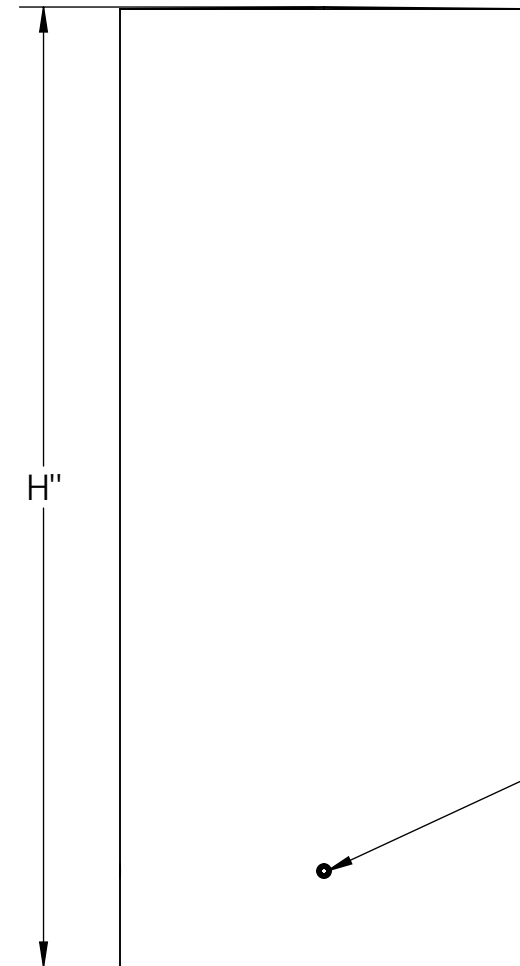
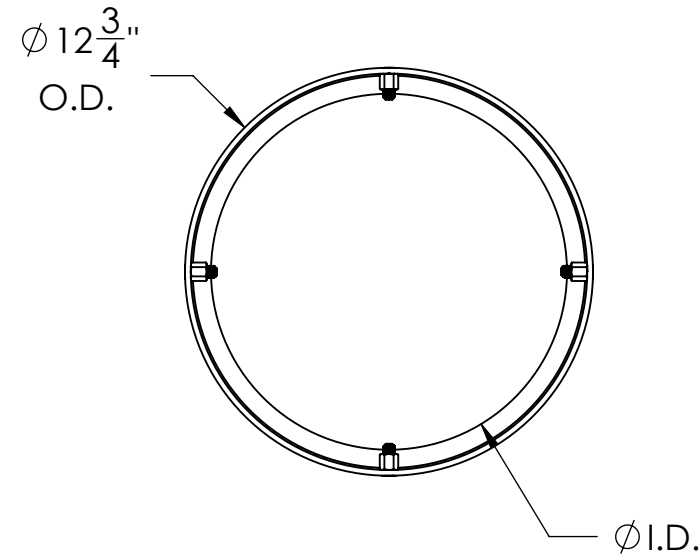
5

4

3

2

1



4 SET SCREWS FOR  
SECURING COVER TO BOLLARD

NOTE: OTHER MATERIALS/FINISHES AVAILABLE - CONTACT FOR MORE INFORMATION



COVER SELECTION

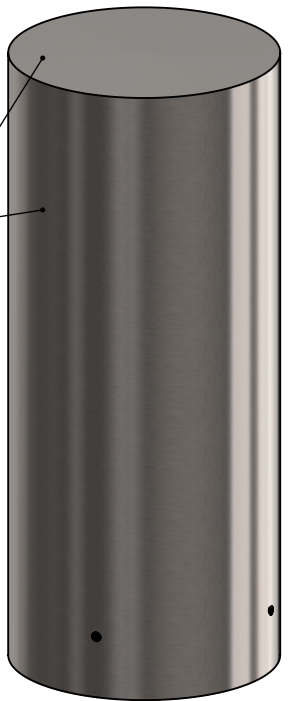
SELECTION	PART NUMBER	COVER HEIGHT (H)	I.D.	FITS BOLLARD SIZE (I.D.)	MATERIAL	COVER WEIGHT	
	BC4F1230-8	30"	9"	8" NPS (8.625" O.D.)	304 SS	72LBS	
	BC4F1236-8	36"	9"			84LBS	
	BC4F1240-8	40"	9"			92LBS	
	BC4F1242-8	42"	9"			97LBS	
	BC4F1230-10	30"	11-1/8"	10" NPS (10.75" O.D.)		316L SS	69LBS
	BC4F1236-10	36"	11-1/8"				82LBS
	BC4F1240-10	40"	11-1/8"				90LBS
	BC4F1242-10	42"	11-1/8"				94LBS
	BC6F1230-8	30"	9"	8" NPS (8.625" O.D.)	316L SS		72LBS
	BC6F1236-8	36"	9"				84LBS
	BC6F1240-8	40"	9"				92LBS
	BC6F1242-8	42"	9"				97LBS
	BC6F1230-10	30"	11-1/8"	10" NPS (10.75" O.D.)		316L SS	69LBS
	BC6F1236-10	36"	11-1/8"				82LBS
	BC6F1240-10	40"	11-1/8"				90LBS
	BC6F1242-10	42"	11-1/8"				94LBS

APPROVAL SIGNATURE:

DATE:

NOTE: BOLLARD SHOULD BE WITHIN 1/4" - 1" SHORTER THAN OVERALL HEIGHT OF COVER

#4 CIRCUMFERENTIAL  
BRUSHED FINISH



	NAME	DATE	 986 ROSEDALE DR. HIRAM, GA 30141 (678) 915-2080
DRAWN BY	S.J.	10/6/2020	
CHECKED BY	J.HU.	10/6/2020	
DESCRIPTION:			
12" FLAT TOP BOLLARD COVER			
REV.	ITEM NO:		
<b>A</b>	SEE SELECTOR		
<small>PROPRIETARY AND CONFIDENTIAL THE INFORMATION CONTAINED IN THIS DRAWING IS THE SOLE PROPERTY OF SHAW STAINLESS LLC. ANY REPRODUCTION IN PART OR AS A WHOLE WITHOUT THE WRITTEN PERMISSION OF SHAW STAINLESS LLC IS PROHIBITED.</small>			
NO MANUAL REVISIONS/CHANGES ALLOWED			SHEET 1 OF 1

8

7

6

5

4

3

2

1