

8

7

6

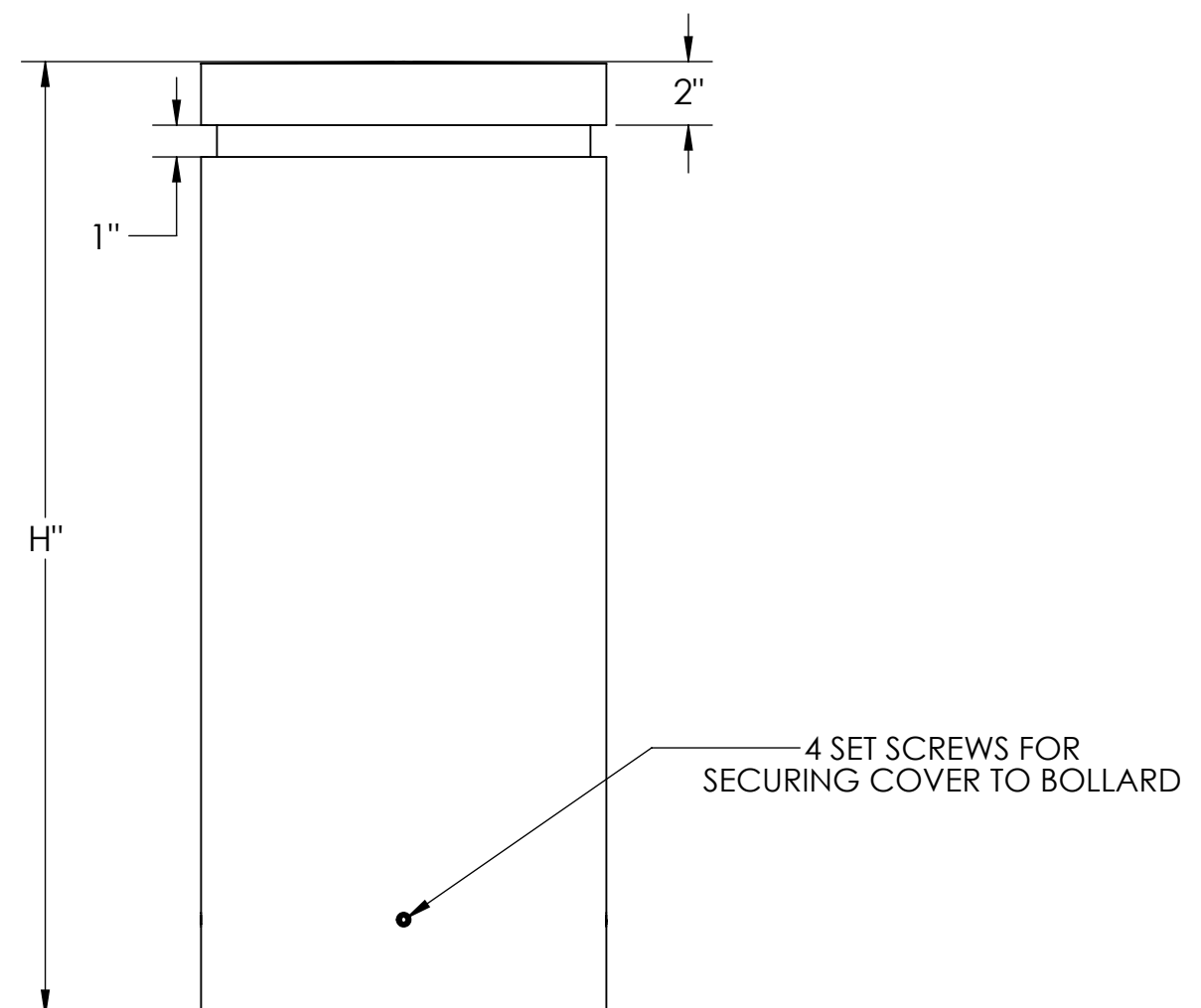
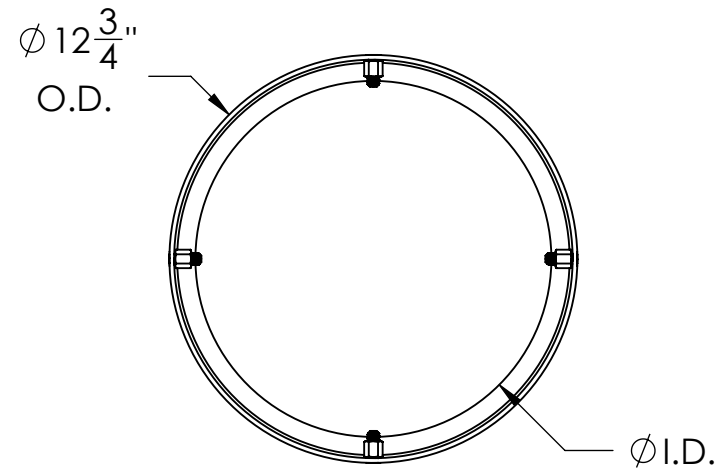
5

4

3

2

1



NOTE: OTHER MATERIALS/FINISHES AVAILABLE - CONTACT FOR MORE INFORMATION

COVER SELECTION

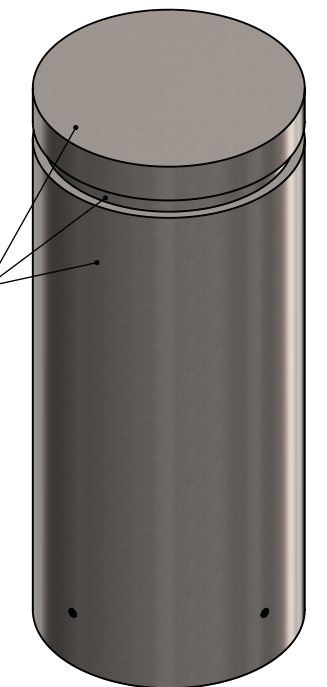
SELECTION	PART NUMBER	COVER HEIGHT (H)	I.D.	FITS BOLLARD SIZE (I.D.)	MATERIAL	COVER WEIGHT
	BCV4F11230-8	30"	9"	8" NPS (8.625" O.D.)	304 SS	77LBS
	BCV4F11236-8	36"	9"			89LBS
	BCV4F11240-8	40"	9"			97LBS
	BCV4F11242-8	42"	9"			101LBS
	BCV4F11230-10	30"	11-1/8"	10" NPS (10.75" O.D.)		73LBS
	BCV4F11236-10	36"	11-1/8"			86LBS
	BCV4F11240-10	40"	11-1/8"			94LBS
	BCV4F11242-10	42"	11-1/8"			98LBS
	BCV6F11230-8	30"	9"	8" NPS (8.625" O.D.)	316L SS	77LBS
	BCV6F11236-8	36"	9"			89LBS
	BCV6F11240-8	40"	9"			97LBS
	BCV6F11242-8	42"	9"			101LBS
	BCV6F11230-10	30"	11-1/8"	10" NPS (10.75" O.D.)		73LBS
	BCV6F11236-10	36"	11-1/8"			86LBS
	BCV6F11240-10	40"	11-1/8"			94LBS
	BCV6F11242-10	42"	11-1/8"			98LBS


APPROVAL SIGNATURE:

DATE:

NOTE: BOLLARD SHOULD BE WITHIN 1/4" -1" SHORTER THAN OVERALL HEIGHT OF COVER

#4 CIRCUMFERENTIAL BRUSHED FINISH TYP ALL EXTERIOR SURFACES



	NAME	DATE	 BARRIER DEFENSE SYSTEMS <small>A SHAW STAINLESS COMPANY</small>	986 ROSEDALE DR. HIRAM, GA 30141 (678) 915-2080	
DRAWN BY	S.J.	10/6/2020		DESCRIPTION: 12" FLAT TOP 1 REVEAL BOLLARD COVER	
CHECKED BY	J.HU.	10/6/2020		REV. A	ITEM NO: SEE SELECTOR
<small>PROPRIETARY AND CONFIDENTIAL THE INFORMATION CONTAINED IN THIS DRAWING IS THE SOLE PROPERTY OF SHAW STAINLESS LLC. ANY REPRODUCTION IN PART OR AS A WHOLE WITHOUT THE WRITTEN PERMISSION OF SHAW STAINLESS LLC IS PROHIBITED.</small>			SHEET 1 OF 1		

NO MANUAL REVISIONS/CHANGES ALLOWED

8

7

6

5

4

3

2

1