

8

7

6

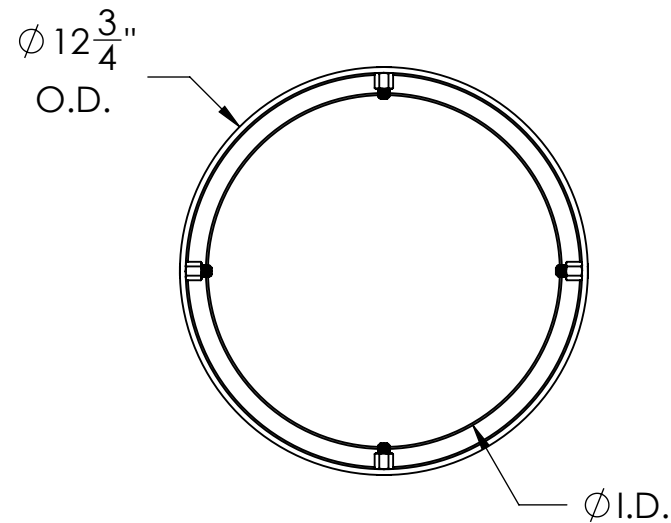
5

4

3

2

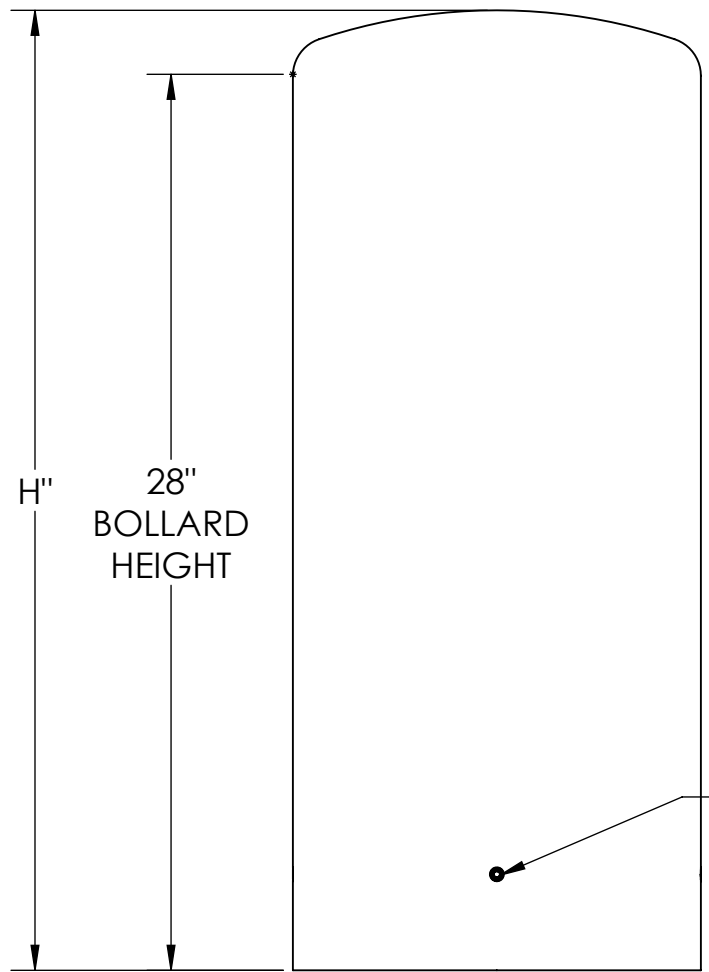
1



COVER SELECTION							
SELECTION	PART NUMBER	COVER HEIGHT (H)	BOLLARD HEIGHT	I.D.	FITS BOLLARD SIZE (I.D.)	MATERIAL	COVER WEIGHT
	BC4D1230-8	30"	28"	9"	8" NPS (8.625" O.D.)	304 SS	69LBS
	BC4D1236-8	36"	34"	9"			82LBS
	BC4D1240-8	40"	38"	9"			90LBS
	BC4D1242-8	42"	40"	9"			94LBS
	BC4D1230-10	30"	28"	11-1/8"	10" NPS (10.75" O.D.)		67LBS
	BC4D1236-10	36"	34"	11-1/8"			79LBS
	BC4D1240-10	40"	38"	11-1/8"			87LBS
	BC4D1242-10	42"	40"	11-1/8"			92LBS
	BC6D1230-8	30"	28"	9"	8" NPS (8.625" O.D.)	316L SS	69LBS
	BC6D1236-8	36"	34"	9"			82LBS
	BC6D1240-8	40"	38"	9"			90LBS
	BC6D1242-8	42"	40"	9"			94LBS
	BC6D1230-10	30"	28"	11-1/8"	10" NPS (10.75" O.D.)		67LBS
	BC6D1236-10	36"	34"	11-1/8"			79LBS
	BC6D1240-10	40"	38"	11-1/8"			87LBS
	BC6D1242-10	42"	40"	11-1/8"			92LBS

APPROVAL SIGNATURE:

DATE:

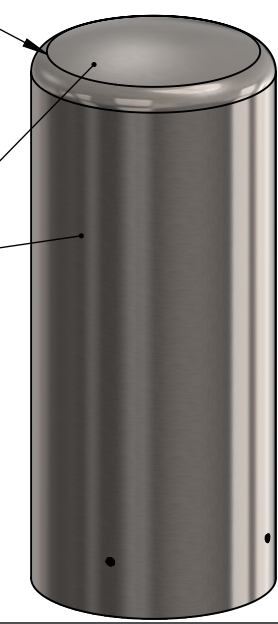



4 SET SCREWS FOR SECURING COVER TO BOLLARD

NOTE: OTHER MATERIALS/FINISHES AVAILABLE - CONTACT FOR MORE INFORMATION

TANGENT LINES SHOWN FOR CLARITY

#4 CIRCUMFERENTIAL BRUSHED FINISH



	NAME	DATE	 BARRIER DEFENSE SYSTEMS <small>A SHAW STAINLESS COMPANY</small>	986 ROSEDALE DR. HIRAM, GA 30141 (678) 915-2080
DRAWN BY	S.J.	10/5/2020		
CHECKED BY	J.HU.	10/5/2020	DESCRIPTION: 12" DOME TOP BOLLARD COVER	
<small>PROPRIETARY AND CONFIDENTIAL THE INFORMATION CONTAINED IN THIS DRAWING IS THE SOLE PROPERTY OF SHAW STAINLESS LLC. ANY REPRODUCTION IN PART OR AS A WHOLE WITHOUT THE WRITTEN PERMISSION OF SHAW STAINLESS LLC IS PROHIBITED.</small>			REV. A	ITEM NO: SEE SELECTOR
			SHEET 1 OF 1	

NO MANUAL REVISIONS/CHANGES ALLOWED

8

7

6

5

4

3

2

1