

8

7

6

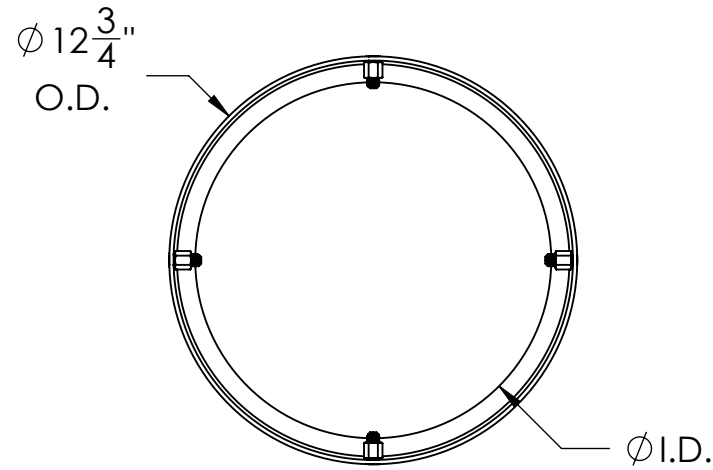
5

4

3

2

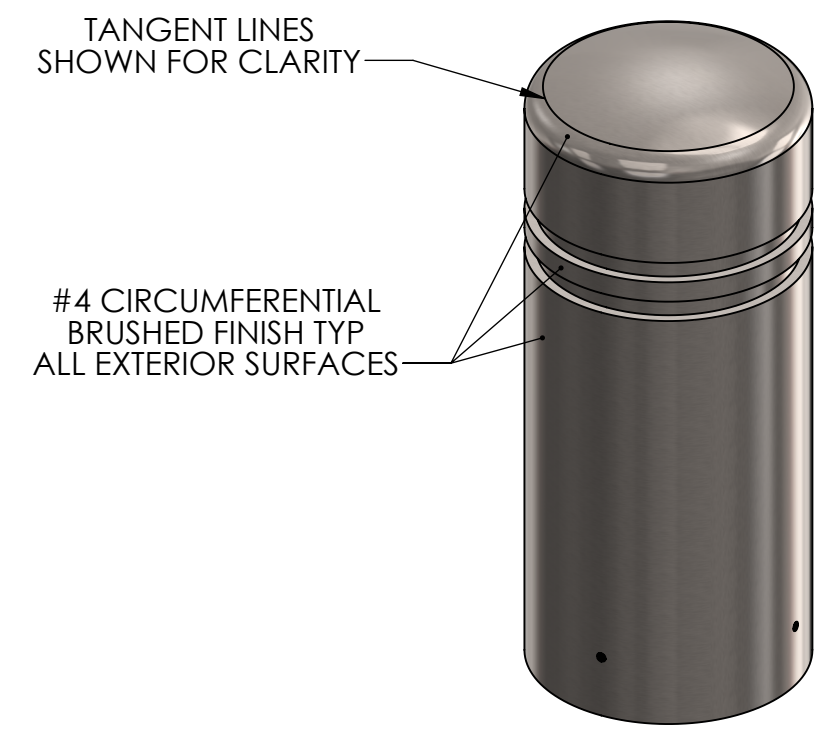
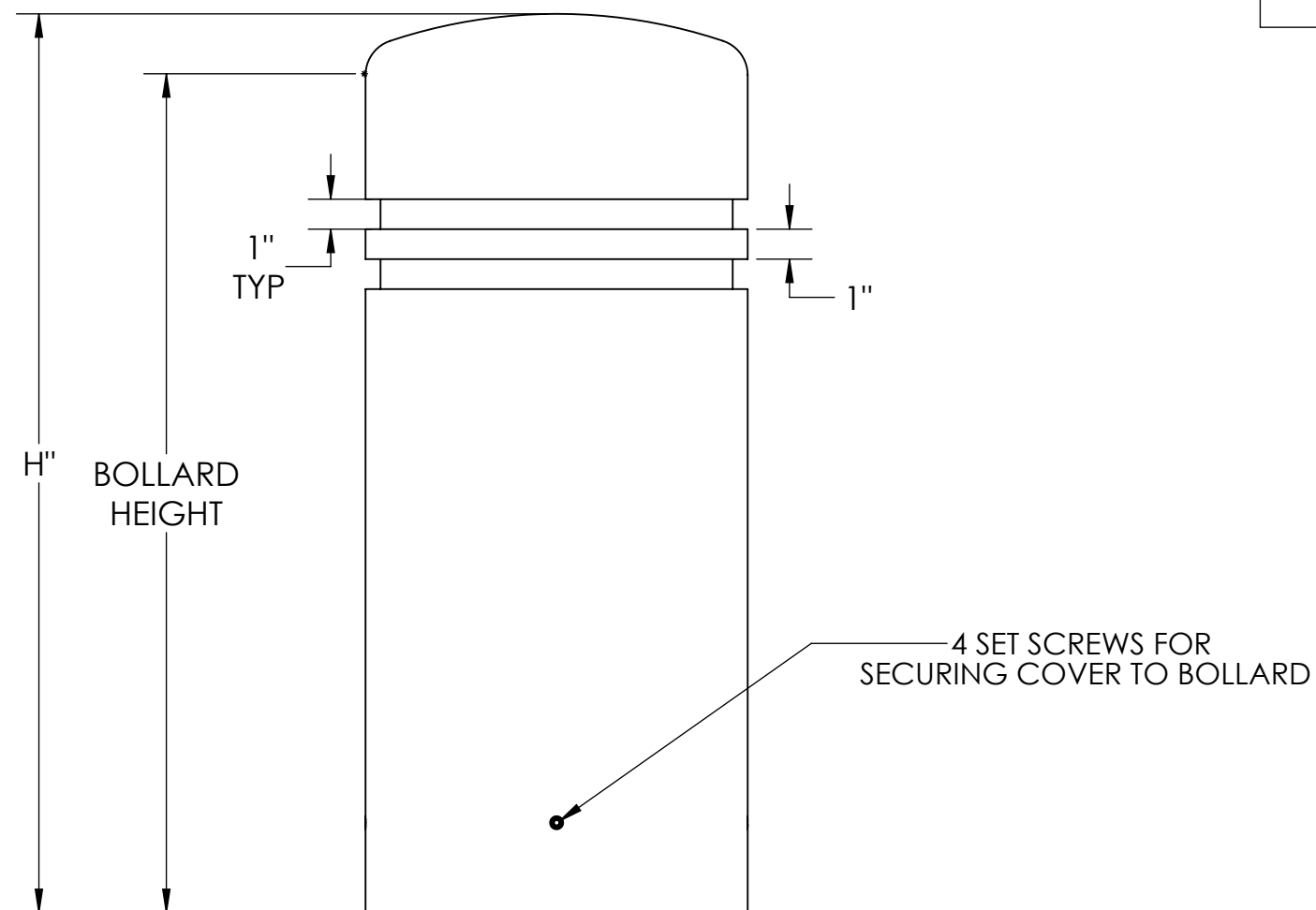
1



COVER SELECTION							
SELECTION	PART NUMBER	COVER HEIGHT (H)	BOLLARD HEIGHT	I.D.	FITS BOLLARD SIZE (I.D.)	MATERIAL	COVER WEIGHT
	BCV4D21230-8	30"	28"	9"	8" NPS (8.625" O.D.)	304 SS	72LBS
	BCV4D21236-8	36"	34"	9"			84LBS
	BCV4D21240-8	40"	38"	9"			93LBS
	BCV4D21242-8	42"	40"	9"			97LBS
	BCV4D21230-10	30"	28"	11-1/8"	10" NPS (10.75" O.D.)	304 SS	69LBS
	BCV4D21236-10	36"	34"	11-1/8"			81LBS
	BCV4D21240-10	40"	38"	11-1/8"			89LBS
	BCV4D21242-10	42"	40"	11-1/8"			94LBS
	BCV6D21230-8	30"	28"	9"	8" NPS (8.625" O.D.)	316L SS	72LBS
	BCV6D21236-8	36"	34"	9"			84LBS
	BCV6D21240-8	40"	38"	9"			93LBS
	BCV6D21242-8	42"	40"	9"			97LBS
	BCV6D21230-10	30"	28"	11-1/8"	10" NPS (10.75" O.D.)	316L SS	69LBS
	BCV6D21236-10	36"	34"	11-1/8"			81LBS
	BCV6D21240-10	40"	38"	11-1/8"			89LBS
	BCV6D21242-10	42"	40"	11-1/8"			94LBS

APPROVAL SIGNATURE:

DATE:



NOTE: OTHER MATERIALS/FINISHES AVAILABLE - CONTACT FOR MORE INFORMATION

NO MANUAL REVISIONS/CHANGES ALLOWED

	NAME	DATE
DRAWN BY	S.J.	10/6/2020
CHECKED BY	J.HU.	10/6/2020

BARRIER DEFENSE SYSTEMS
A SHAW STAINLESS COMPANY

986 ROSEDALE DR.
HIRAM, GA 30141
(678) 915-2080

PROPRIETARY AND CONFIDENTIAL
THE INFORMATION CONTAINED IN THIS DRAWING IS THE SOLE PROPERTY OF SHAW STAINLESS LLC.
ANY REPRODUCTION IN PART OR AS A WHOLE WITHOUT THE WRITTEN PERMISSION OF SHAW STAINLESS LLC IS PROHIBITED.

DESCRIPTION: 12" DOME TOP 2 REVEAL BOLLARD COVER	
REV. A	ITEM NO: SEE SELECTOR
SHEET 1 OF 1	

8

7

6

5

4

3

2

1