

8

7

6

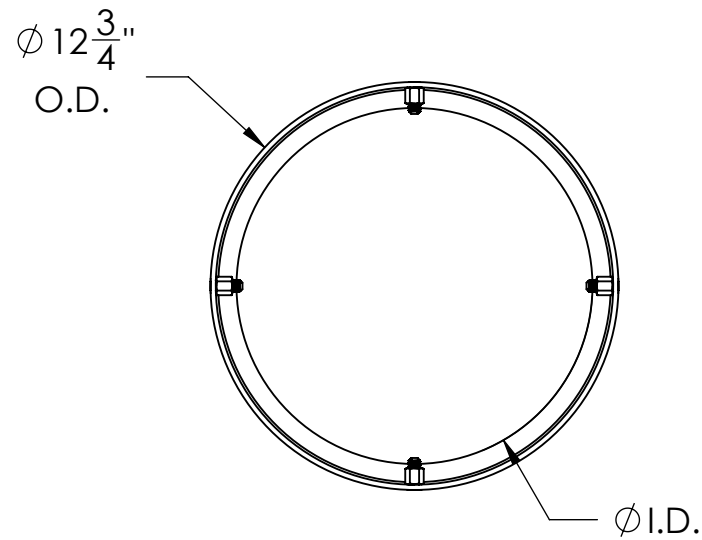
5

4

3

2

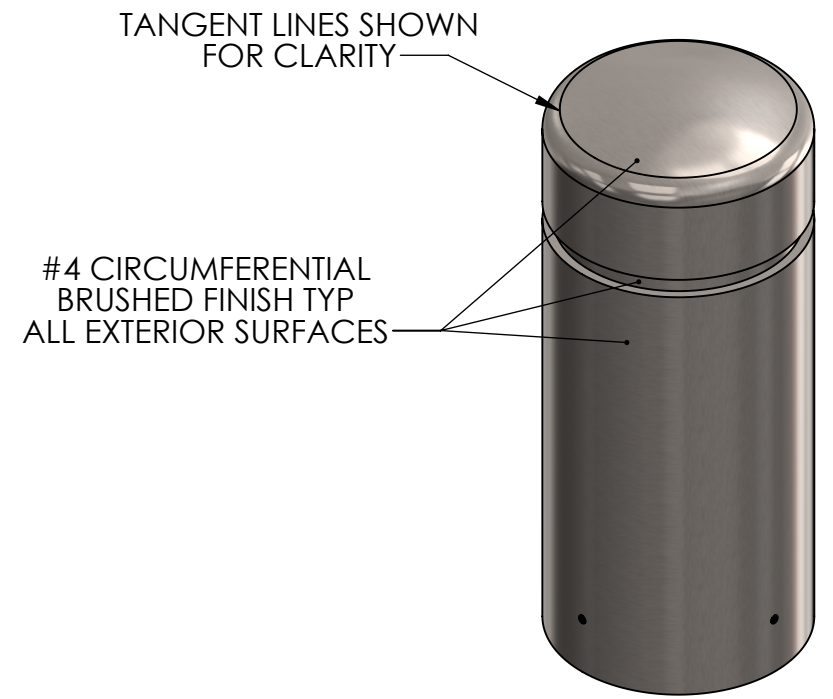
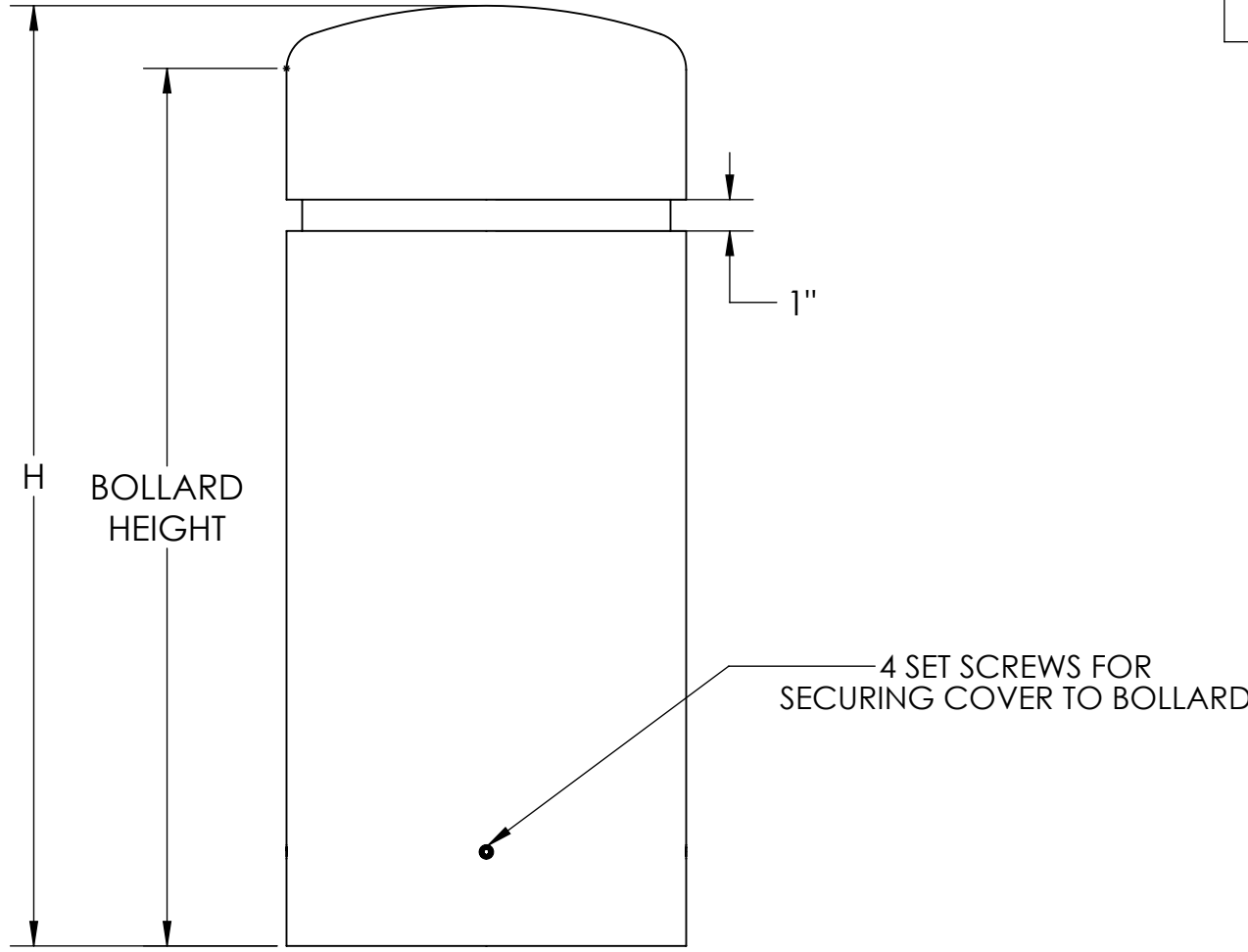
1



COVER SELECTION							
SELECTION	PART NUMBER	COVER HEIGHT (H)	BOLLARD HEIGHT	I.D.	FITS BOLLARD SIZE (I.D.)	MATERIAL	COVER WEIGHT
	BCV4D11230-8	30"	28"	9"	8" NPS (8.625" O.D.)	304 SS	71LBS
	BCV4D11236-8	36"	34"	9"			83LBS
	BCV4D11240-8	40"	38"	9"			91LBS
	BCV4D11242-8	42"	40"	9"			95LBS
	BCV4D11230-10	30"	28"	11-1/8"	10" NPS (10.75" O.D.)	304 SS	68LBS
	BCV4D11236-10	36"	34"	11-1/8"			80LBS
	BCV4D11240-10	40"	38"	11-1/8"			88LBS
	BCV4D11242-10	42"	40"	11-1/8"			82LBS
	BCV6D11230-8	30"	28"	9"	8" NPS (8.625" O.D.)	316L SS	71LBS
	BCV6D11236-8	36"	34"	9"			83LBS
	BCV6D11240-8	40"	38"	9"			91LBS
	BCV6D11242-8	42"	40"	9"			95LBS
	BCV6D11230-10	30"	28"	11-1/8"	10" NPS (10.75" O.D.)	316L SS	68LBS
	BCV6D11236-10	36"	34"	11-1/8"			80LBS
	BCV6D11240-10	40"	38"	11-1/8"			88LBS
	BCV6D11242-10	42"	40"	11-1/8"			82LBS

APPROVAL SIGNATURE: _____

DATE: _____



NOTE: OTHER MATERIALS/FINISHES AVAILABLE - CONTACT FOR MORE INFORMATION

	NAME	DATE	BARRIER DEFENSE SYSTEMS <small>A SHAW STAINLESS COMPANY</small>	986 ROSEDALE DR. HIRAM, GA 30141 (678) 915-2080
DRAWN BY	S.J.	10/6/2020		
CHECKED BY	J.HU.	10/6/2020	DESCRIPTION: 12" DOME TOP 1 REVEAL BOLLARD COVER	
PROPRIETARY AND CONFIDENTIAL THE INFORMATION CONTAINED IN THIS DRAWING IS THE SOLE PROPERTY OF SHAW STAINLESS LLC. ANY REPRODUCTION IN PART OR AS A WHOLE WITHOUT THE WRITTEN PERMISSION OF SHAW STAINLESS LLC IS PROHIBITED.			REV. A	ITEM NO: SEE SELECTOR
NO MANUAL REVISIONS/CHANGES ALLOWED			SHEET 1 OF 1	

8

7

6

5

4

3

2

1