

8

7

6

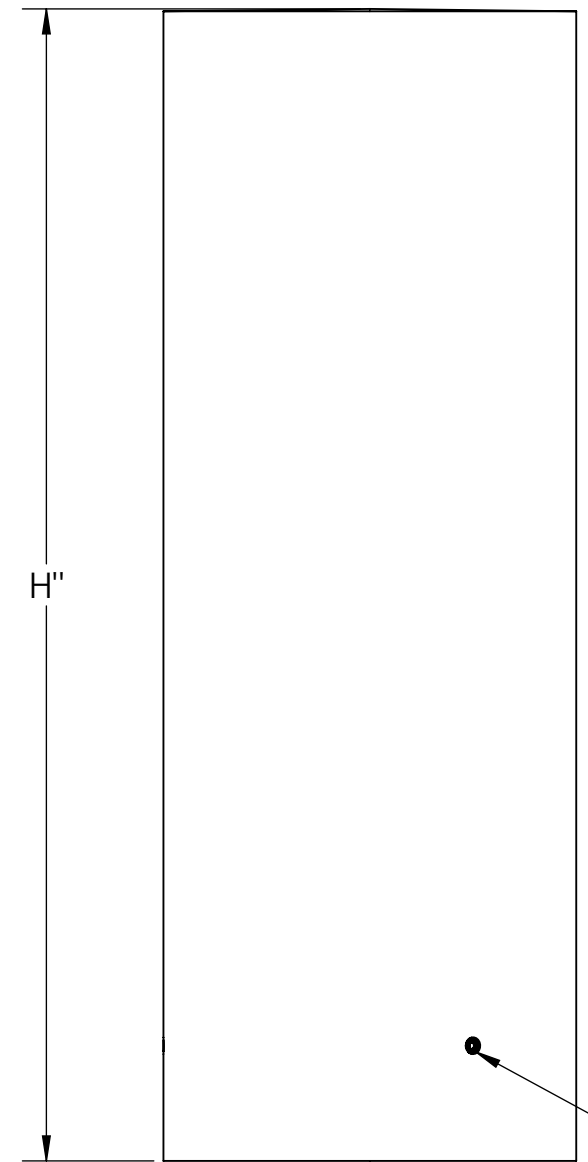
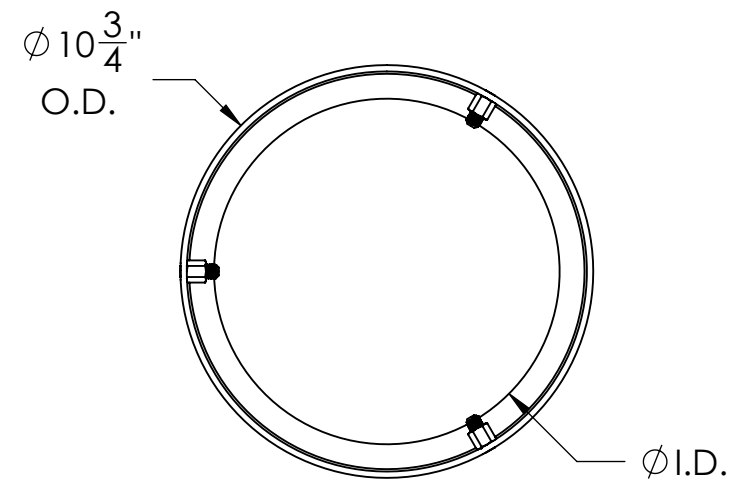
5

4

3

2

1



3 SET SCREWS FOR SECURING COVER TO BOLLARD

NOTE: OTHER MATERIALS/FINISHES AVAILABLE - CONTACT FOR MORE INFORMATION

COVER SELECTION

SELECTION	PART NUMBER	COVER HEIGHT (H)	BOLLARD HEIGHT	I.D.	FITS BOLLARD SIZE (I.D.)	MATERIAL	COVER WEIGHT
	BC4F1030-6	30"	28"	7"	6" NPS (6.625" O.D.)	304 SS	55LBS
	BC4F1036-6	36"	34"	7"			65LBS
	BC4F1040-6	40"	38"	7"			71LBS
	BC4F1042-6	42"	40"	7"			74LBS
	BC4F1030-8	30"	28"	9"	8" NPS (8.625" O.D.)		54LBS
	BC4F1036-8	36"	34"	9"			63LBS
	BC4F1040-8	40"	38"	9"			69LBS
	BC4F1042-8	42"	40"	9"			73LBS
	BC6F1030-6	30"	28"	7"	6" NPS (6.625" O.D.)	316L SS	55LBS
	BC6F1036-6	36"	34"	7"			65LBS
	BC6F1040-6	40"	38"	7"			71LBS
	BC6F1042-6	42"	40"	7"			74LBS
	BC6F1030-8	30"	28"	9"	8" NPS (8.625" O.D.)		54LBS
	BC6F1036-8	36"	34"	9"			63LBS
	BC6F1040-8	40"	38"	9"			69LBS
	BC6F1042-8	42"	40"	9"			73LBS

APPROVAL SIGNATURE:

DATE:

NOTE: BOLLARD SHOULD BE WITHIN 1/4" -1" SHORTER THAN OVERALL HEIGHT OF COVER

#4 CIRCUMFERENTIAL BRUSHED FINISH



DRAWN BY		NAME	DATE	BARRIER DEFENSE SYSTEMS <small>A SHAW STAINLESS COMPANY</small>	986 ROSEDALE DR. HIRAM, GA 30141 (678) 915-2080
CHECKED BY		S.J.	10/1/2020		
		J.HU.	10/1/2020	DESCRIPTION:	
				10" FLAT TOP BOLLARD COVER	
				REV. A	ITEM NO: SEE SELECTOR
				SHEET 1 OF 1	

PROPRIETARY AND CONFIDENTIAL THE INFORMATION CONTAINED IN THIS DRAWING IS THE SOLE PROPERTY OF SHAW STAINLESS LLC. ANY REPRODUCTION IN PART OR AS A WHOLE WITHOUT THE WRITTEN PERMISSION OF SHAW STAINLESS LLC IS PROHIBITED.

NO MANUAL REVISIONS/CHANGES ALLOWED

8

7

6

5

4

3

2

1