

8

7

6

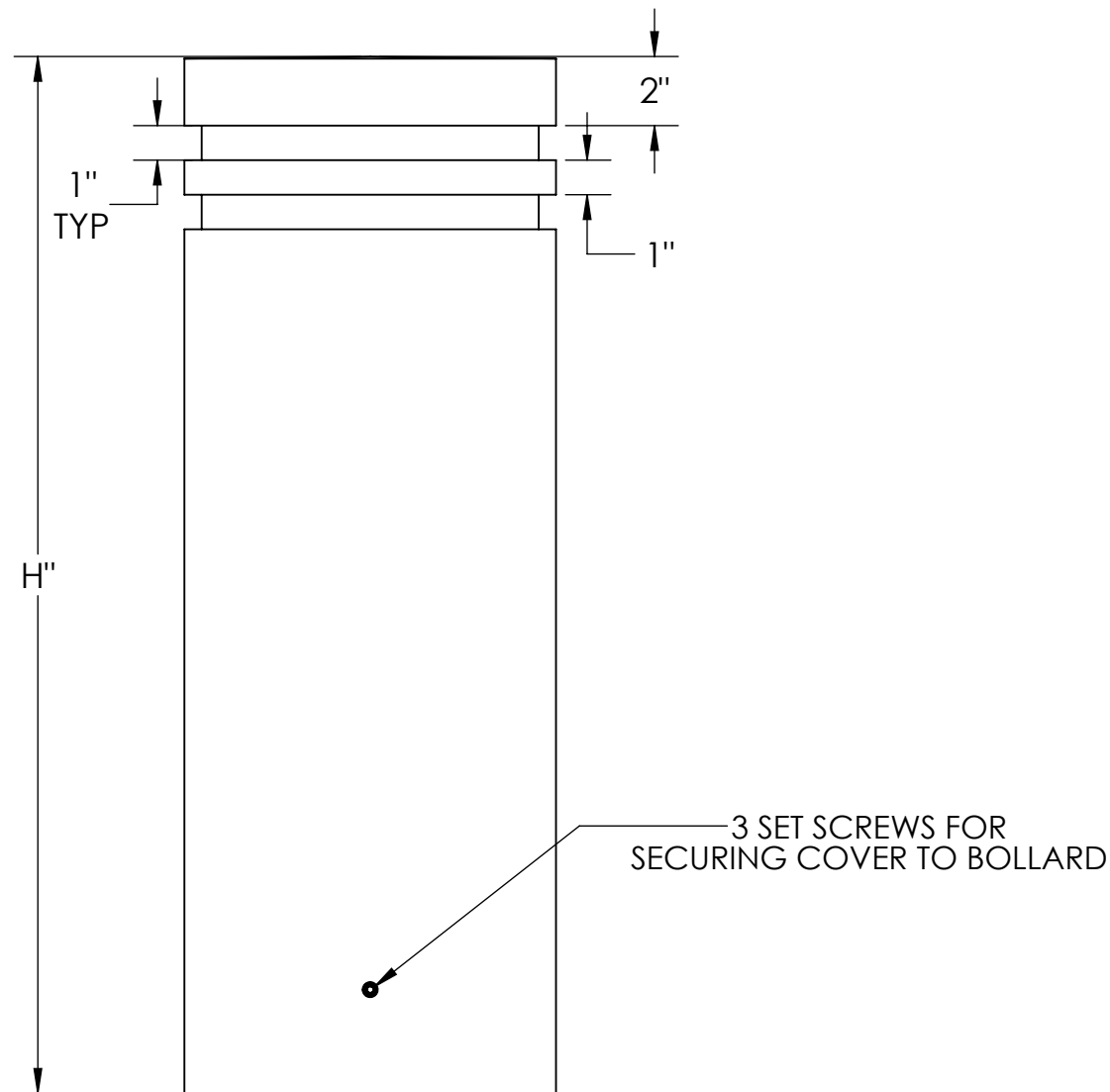
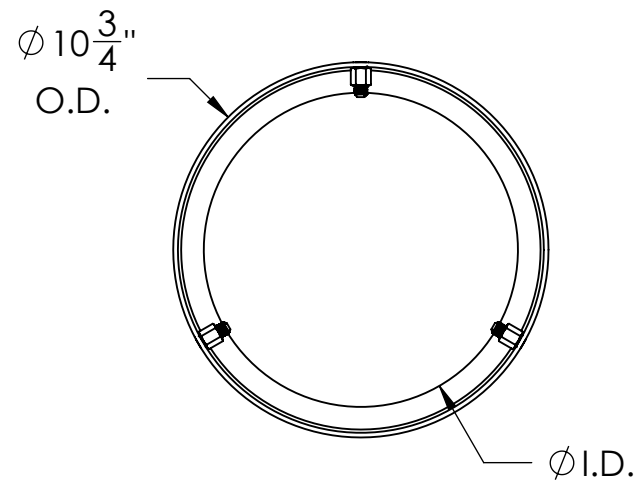
5

4

3

2

1



NOTE: OTHER MATERIALS/FINISHES AVAILABLE - CONTACT FOR MORE INFORMATION

COVER SELECTION

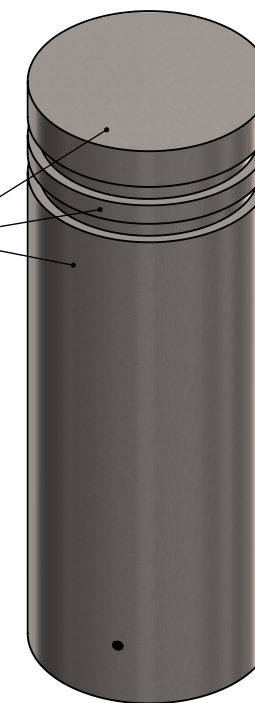
SELECTION	PART NUMBER	COVER HEIGHT (H)	I.D.	FITS BOLLARD SIZE (I.D.)	MATERIAL	COVER WEIGHT
	BCV4F21030-6	30"	7"	6" NPS (6.625" O.D.)	304 SS	58LBS
	BCV4F21036-6	36"	7"			67LBS
	BCV4F21040-6	40"	7"			74LBS
	BCV4F21042-6	42"	7"			77LBS
	BCV4F21030-8	30"	9"	8" NPS (8.625" O.D.)		56LBS
	BCV4F21036-8	36"	9"			65LBS
	BCV4F21040-8	40"	9"			71LBS
	BCV4F21042-8	42"	9"			75LBS
	BCV6F21030-6	30"	7"	6" NPS (6.625" O.D.)	316L SS	58LBS
	BCV6F21036-6	36"	7"			67LBS
	BCV6F21040-6	40"	7"			74LBS
	BCV6F21042-6	42"	7"			77LBS
	BCV6F21030-8	30"	9"	8" NPS (8.625" O.D.)		56LBS
	BCV6F21036-8	36"	9"			65LBS
	BCV6F21040-8	40"	9"			71LBS
	BCV6F21042-8	42"	9"			75LBS


APPROVAL SIGNATURE:

DATE:

NOTE: BOLLARD SHOULD BE WITHIN 1/4" -1" SHORTER THAN OVERALL HEIGHT OF COVER

#4 CIRCUMFERENTIAL BRUSHED FINISH TYP ALL EXTERIOR SURFACES



	NAME	DATE	 BARRIER DEFENSE SYSTEMS <small>A SHAW STAINLESS COMPANY</small>	986 ROSEDALE DR. HIRAM, GA 30141 (678) 915-2080	
DRAWN BY	S.J.	10/1/2020			
CHECKED BY	J.HU.	10/1/2020	DESCRIPTION: 10" FLAT TOP 2 REVEAL BOLLARD COVER		
PROPRIETARY AND CONFIDENTIAL THE INFORMATION CONTAINED IN THIS DRAWING IS THE SOLE PROPERTY OF SHAW STAINLESS LLC. ANY REPRODUCTION IN PART OR AS A WHOLE WITHOUT THE WRITTEN PERMISSION OF SHAW STAINLESS LLC IS PROHIBITED.			REV. A	ITEM NO: SEE SELECTOR	
NO MANUAL REVISIONS/CHANGES ALLOWED			SHEET 1 OF 1		

8

7

6

5

4

3

2

1