

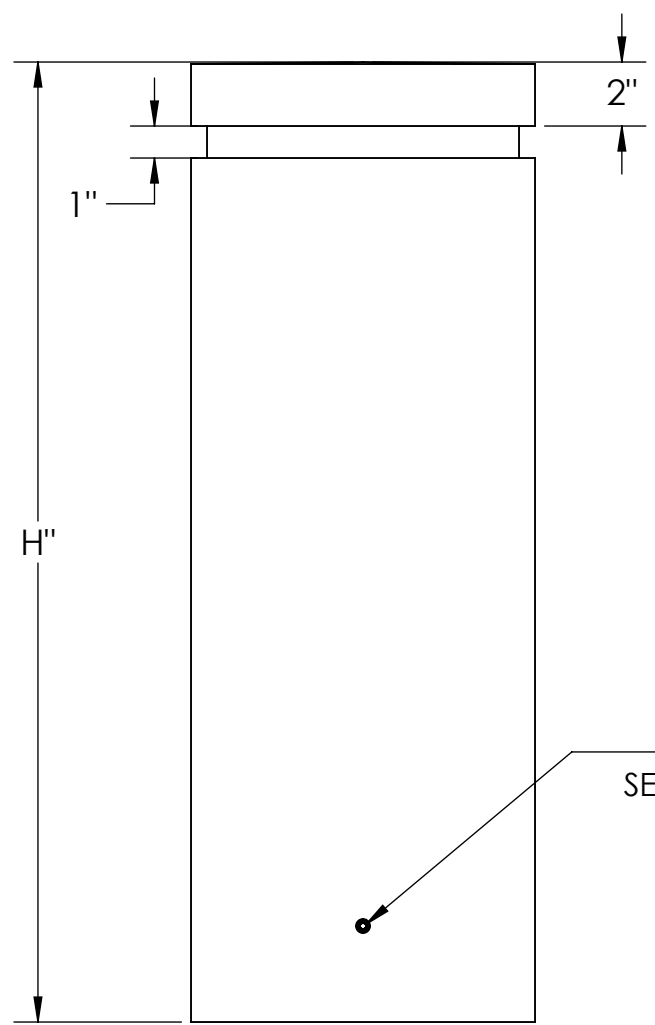
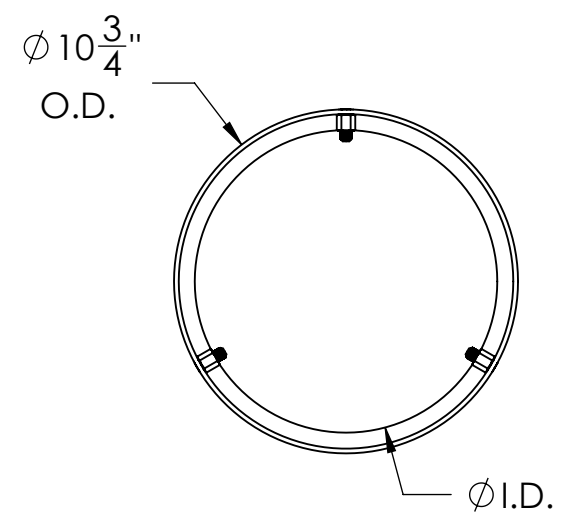
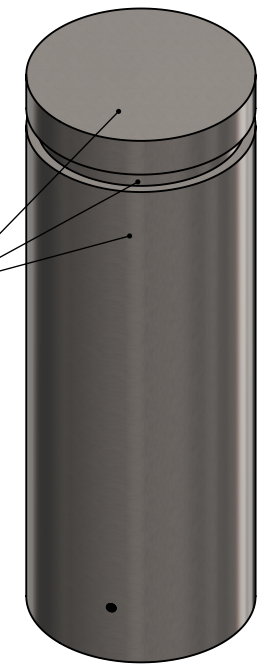
COVER SELECTION						
SELECTION	PART NUMBER	COVER HEIGHT (H)	I.D.	FITS BOLLARD SIZE (I.D.)	MATERIAL	COVER WEIGHT
	BCV4F11030-6	30"	7"	6" NPS (6.625" O.D.)	304 SS	57LBS
	BCV4F11036-6	36"	7"			54LBS
	BCV4F11040-6	40"	7"			66LBS
	BCV4F11042-6	42"	7"			64LBS
	BCV4F11030-8	30"	9"	8" NPS (8.625" O.D.)		73LBS
	BCV4F11036-8	36"	9"			70LBS
	BCV4F11040-8	40"	9"			76LBS
	BCV4F11042-8	42"	9"			74LBS
	BCV6F11030-6	30"	7"	6" NPS (6.625" O.D.)	316L SS	57LBS
	BCV6F11036-6	36"	7"			54LBS
	BCV6F11040-6	40"	7"			66LBS
	BCV6F11042-6	42"	7"			64LBS
	BCV6F11030-8	30"	9"	8" NPS (8.625" O.D.)		73LBS
	BCV6F11036-8	36"	9"			70LBS
	BCV6F11040-8	40"	9"			76LBS
	BCV6F11042-8	42"	9"			74LBS

APPROVAL SIGNATURE: _____

DATE: _____

NOTE: BOLLARD SHOULD BE WITHIN 1/4" - 1" SHORTER THAN OVERALL HEIGHT OF COVER

#4 CIRCUMFERENTIAL BRUSHED FINISH TYP ALL EXTERIOR SURFACES



3 SET SCREWS FOR SECURING COVER TO BOLLARD

NOTE: OTHER MATERIALS/FINISHES AVAILABLE - CONTACT FOR MORE INFORMATION

NO MANUAL REVISIONS/CHANGES ALLOWED



	NAME	DATE
DRAWN BY	S.J.	9/29/2020
CHECKED BY	J.HU.	9/29/2020

BARRIER DEFENSE SYSTEMS
A SHAW STAINLESS COMPANY
986 ROSEDALE DR.
HIRAM, GA 30141
(678) 915-2080

PROPRIETARY AND CONFIDENTIAL
THE INFORMATION CONTAINED IN THIS DRAWING IS THE SOLE PROPERTY OF SHAW STAINLESS LLC.
ANY REPRODUCTION IN PART OR AS A WHOLE WITHOUT THE WRITTEN PERMISSION OF SHAW STAINLESS LLC IS PROHIBITED.

DESCRIPTION:
10" FLAT TOP 1 REVEAL BOLLARD COVER

REV. ITEM NO:
A SEE SELECTOR