

8

7

6

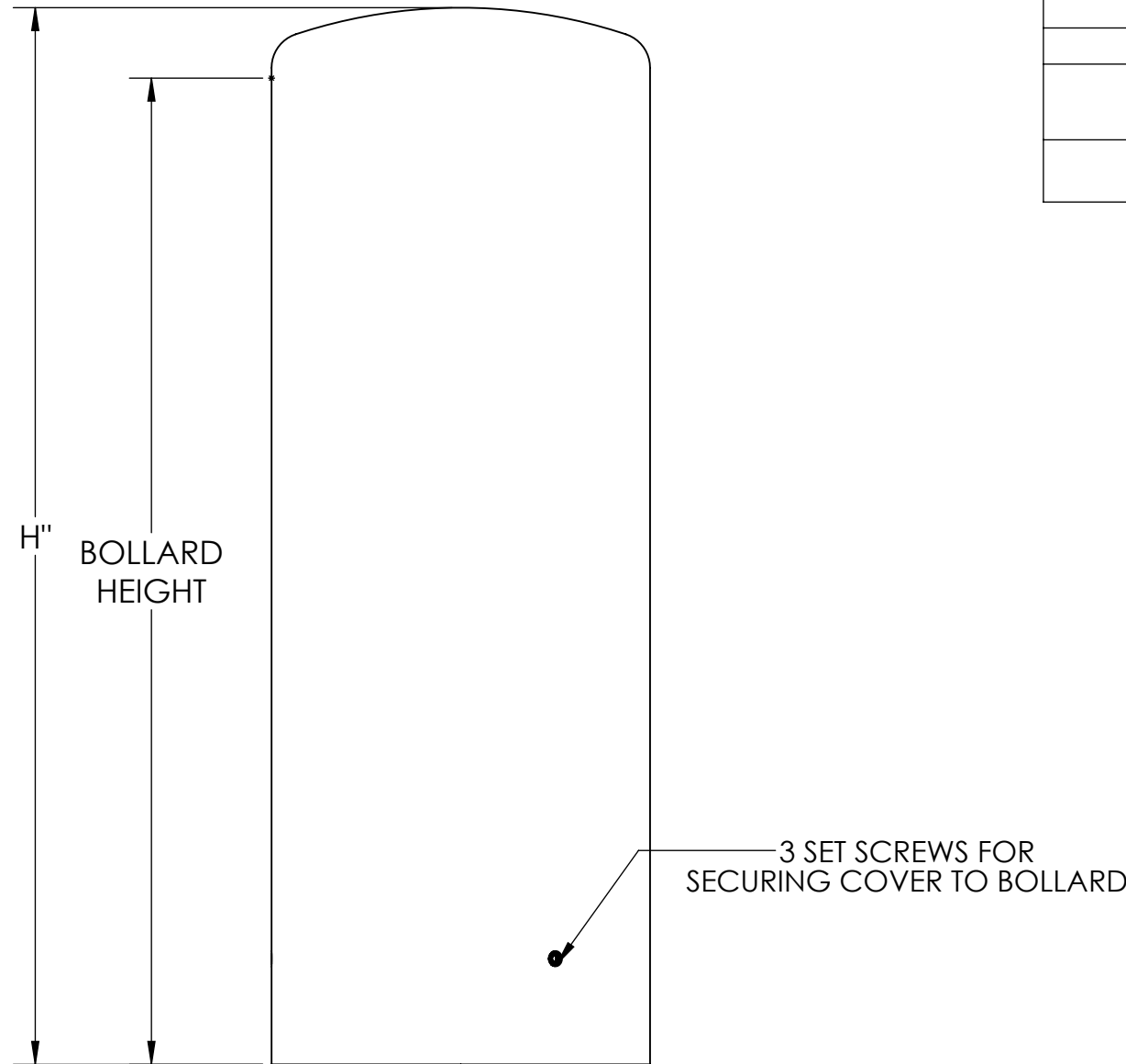
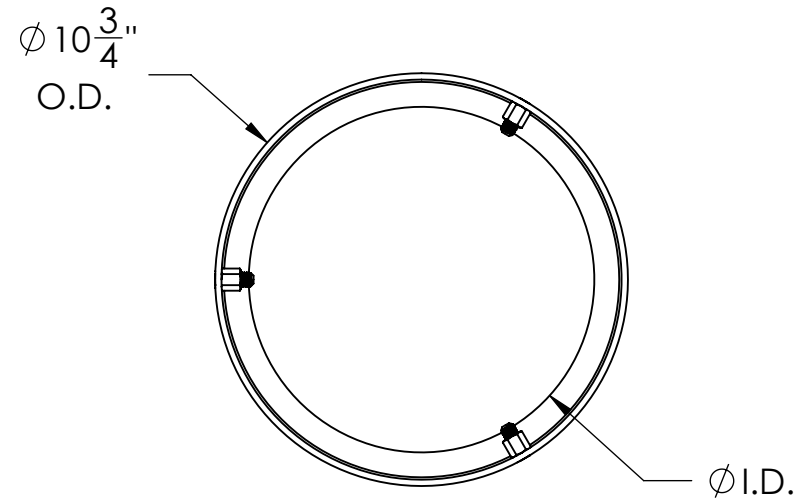
5

4

3

2

1



NOTE: OTHER MATERIALS/FINISHES AVAILABLE - CONTACT FOR MORE INFORMATION

COVER SELECTION

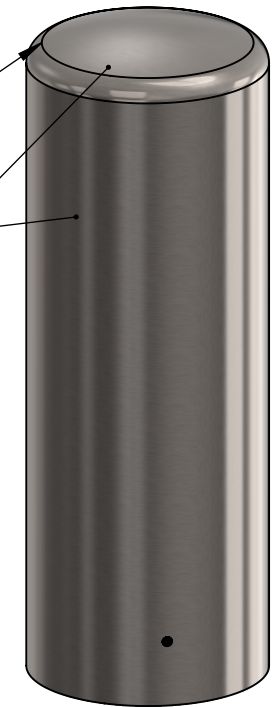
SELECTION	PART NUMBER	COVER HEIGHT (H)	BOLLARD HEIGHT	I.D.	FITS BOLLARD SIZE (I.D.)	MATERIAL	COVER WEIGHT
	BC4D1030-6	30"	28"	7"	6" NPS (6.625" O.D.)	304 SS	53LBS
	BC4D1036-6	36"	34"	7"			51LBS
	BC4D1040-6	40"	38"	7"			63LBS
	BC4D1042-6	42"	40"	7"			61LBS
	BC4D1030-8	30"	28"	9"	8" NPS (8.625" O.D.)		69LBS
	BC4D1036-8	36"	34"	9"			67LBS
	BC4D1040-8	40"	38"	9"			72LBS
	BC4D1042-8	42"	40"	9"			70LBS
	BC6D1030-6	30"	28"	7"	6" NPS (6.625" O.D.)	316L SS	53LBS
	BC6D1036-6	36"	34"	7"			51LBS
	BC6D1040-6	40"	38"	7"			63LBS
	BC6D1042-6	42"	40"	7"			61LBS
	BC6D1030-8	30"	28"	9"	8" NPS (8.625" O.D.)		69LBS
	BC6D1036-8	36"	34"	9"			67LBS
	BC6D1040-8	40"	38"	9"			72LBS
	BC6D1042-8	42"	40"	9"			70LBS


APPROVAL SIGNATURE:

DATE:

TANGENT LINES SHOWN FOR CLARITY

#4 CIRCUMFERENTIAL BRUSHED FINISH



	NAME	DATE	 BARRIER DEFENSE SYSTEMS <small>A SHAW STAINLESS COMPANY</small>	986 ROSEDALE DR. HIRAM, GA 30141 (678) 915-2080
DRAWN BY	S.J.	9/30/2020		
CHECKED BY	J.HU.	9/30/2020	DESCRIPTION:	10" DOME TOP BOLLARD COVER
<small>PROPRIETARY AND CONFIDENTIAL THE INFORMATION CONTAINED IN THIS DRAWING IS THE SOLE PROPERTY OF SHAW STAINLESS LLC. ANY REPRODUCTION IN PART OR AS A WHOLE WITHOUT THE WRITTEN PERMISSION OF SHAW STAINLESS LLC IS PROHIBITED.</small>			REV. A	ITEM NO: SEE SELECTOR
			SHEET 1 OF 1	

NO MANUAL REVISIONS/CHANGES ALLOWED

8

7

6

5

4

3

2

1