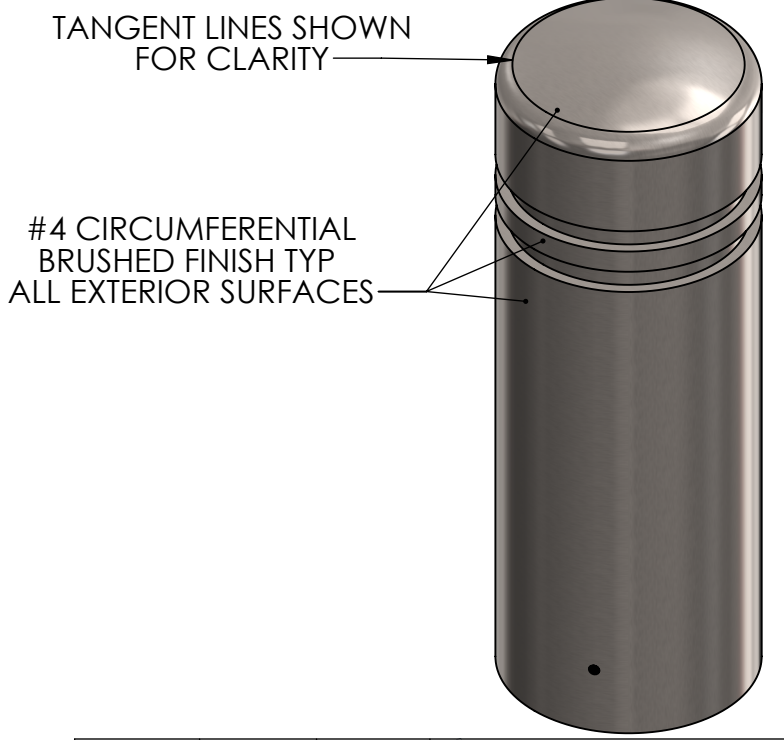
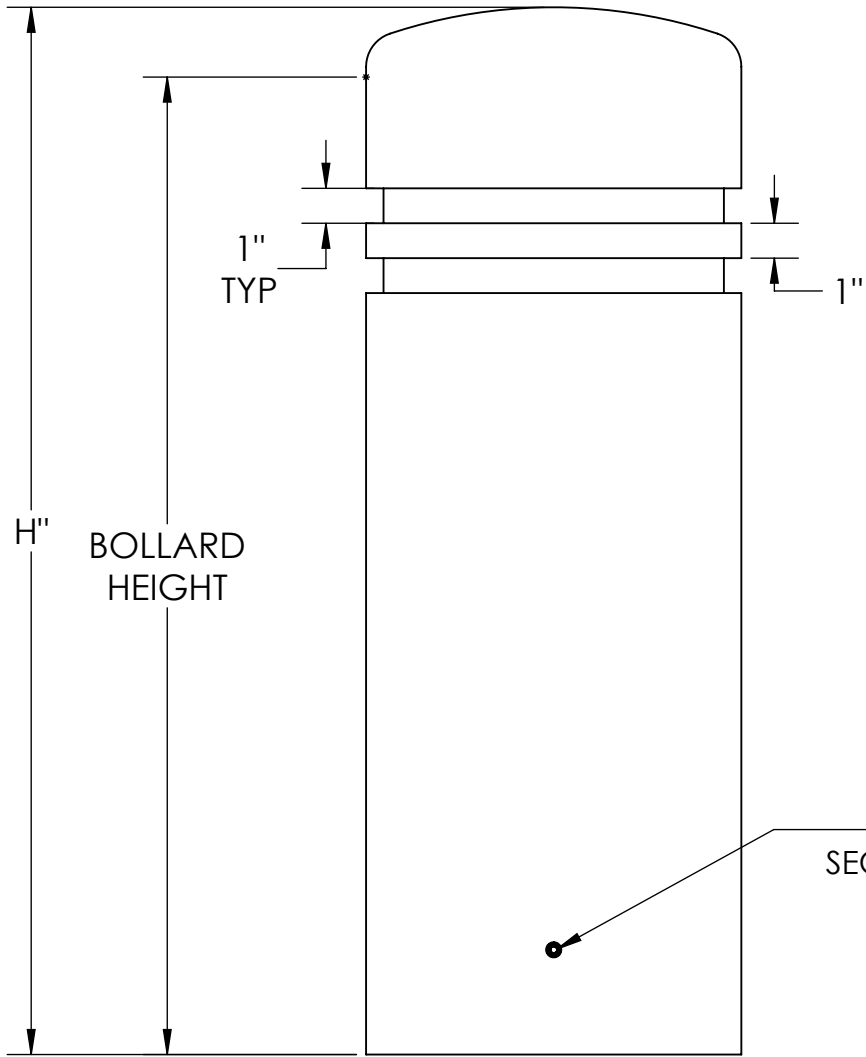
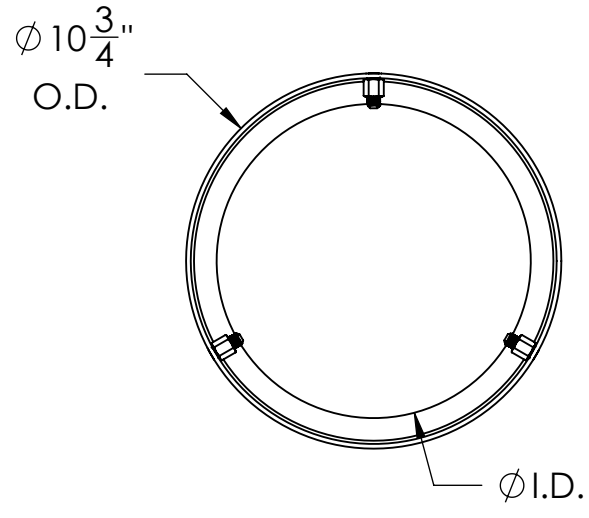


| COVER SELECTION | | | | | | | |
|-----------------|--------------|------------------|----------------|------|--------------------------|----------|--------------|
| SELECTION | PART NUMBER | COVER HEIGHT (H) | BOLLARD HEIGHT | I.D. | FITS BOLLARD SIZE (I.D.) | MATERIAL | COVER WEIGHT |
| | BCV4D21030-6 | 30" | 28" | 7" | 6" NPS (6.625" O.D.) | 304 SS | 56LBS |
| | BCV4D21036-6 | 36" | 34" | 7" | | | 53LBS |
| | BCV4D21040-6 | 40" | 38" | 7" | | | 65LBS |
| | BCV4D21042-6 | 42" | 40" | 7" | | | 63LBS |
| | BCV4D21030-8 | 30" | 28" | 9" | 8" NPS (8.625" O.D.) | | 72LBS |
| | BCV4D21036-8 | 36" | 34" | 9" | | | 69LBS |
| | BCV4D21040-8 | 40" | 38" | 9" | | | 75LBS |
| | BCV4D21042-8 | 42" | 40" | 9" | | | 72LBS |
| | BCV6D21030-6 | 30" | 28" | 7" | 6" NPS (6.625" O.D.) | 316L SS | 56LBS |
| | BCV6D21036-6 | 36" | 34" | 7" | | | 53LBS |
| | BCV6D21040-6 | 40" | 38" | 7" | | | 65LBS |
| | BCV6D21042-6 | 42" | 40" | 7" | | | 63LBS |
| | BCV6D21030-8 | 30" | 28" | 9" | 8" NPS (8.625" O.D.) | | 72LBS |
| | BCV6D21036-8 | 36" | 34" | 9" | | | 69LBS |
| | BCV6D21040-8 | 40" | 38" | 9" | | | 75LBS |
| | BCV6D21042-8 | 42" | 40" | 9" | | | 72LBS |



APPROVAL SIGNATURE:

DATE:

3 SET SCREWS FOR SECURING COVER TO BOLLARD

NOTE: OTHER MATERIALS/FINISHES AVAILABLE - CONTACT FOR MORE INFORMATION

| <p>PROPRIETARY AND CONFIDENTIAL THE INFORMATION CONTAINED IN THIS DRAWING IS THE SOLE PROPERTY OF SHAW STAINLESS LLC. ANY REPRODUCTION IN PART OR AS A WHOLE WITHOUT THE WRITTEN PERMISSION OF SHAW STAINLESS LLC IS PROHIBITED.</p> | <table border="1"> <tr> <th>NAME</th> <th>DATE</th> </tr> <tr> <td>DRAWN BY S.J.</td> <td>9/30/2020</td> </tr> <tr> <td>CHECKED BY J.HU.</td> <td>9/30/2020</td> </tr> </table> | NAME | DATE | DRAWN BY S.J. | 9/30/2020 | CHECKED BY J.HU. | 9/30/2020 | <p>BARRIER DEFENSE SYSTEMS A SHAW STAINLESS COMPANY</p> <p>986 ROSEDALE DR. HIRAM, GA 30141 (678) 915-2080</p> |
|--|---|--|------|---------------|-----------|------------------|-----------|---|
| NAME | DATE | | | | | | | |
| DRAWN BY S.J. | 9/30/2020 | | | | | | | |
| CHECKED BY J.HU. | 9/30/2020 | | | | | | | |
| <p>DESCRIPTION: 10" DOME TOP 2 REVEAL BOLLARD COVER</p> | | <p>REV. A ITEM NO: SEE SELECTOR</p> | | | | | | |
| <p>NO MANUAL REVISIONS/CHANGES ALLOWED</p> | | <p>SHEET 1 OF 1</p> | | | | | | |

