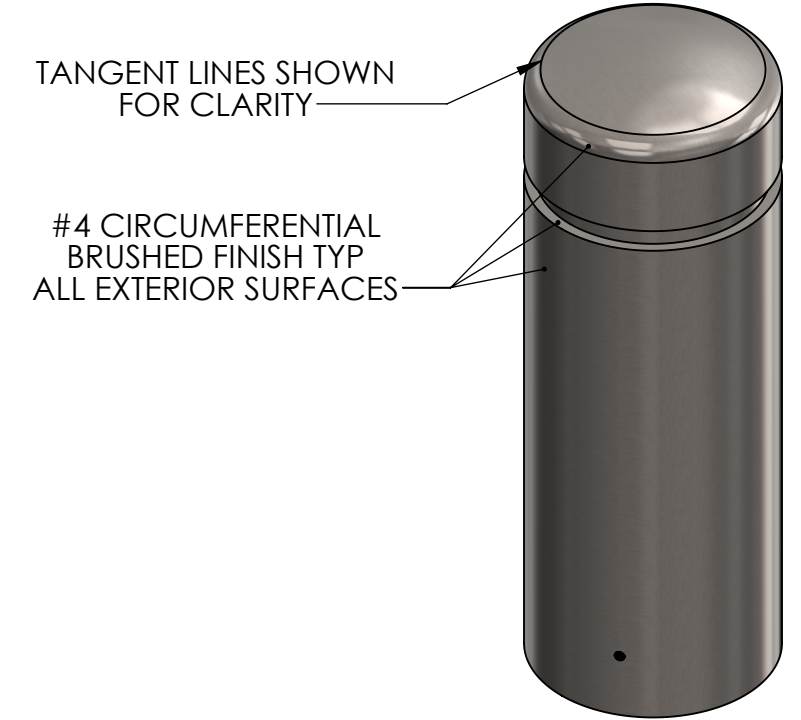
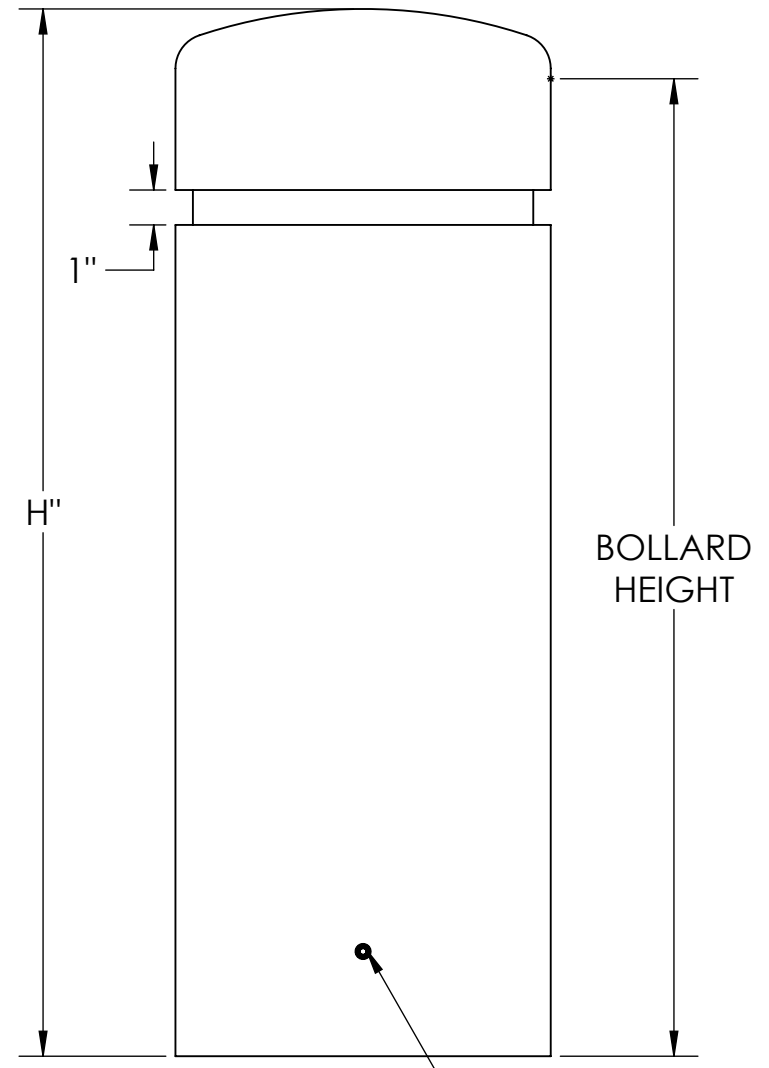
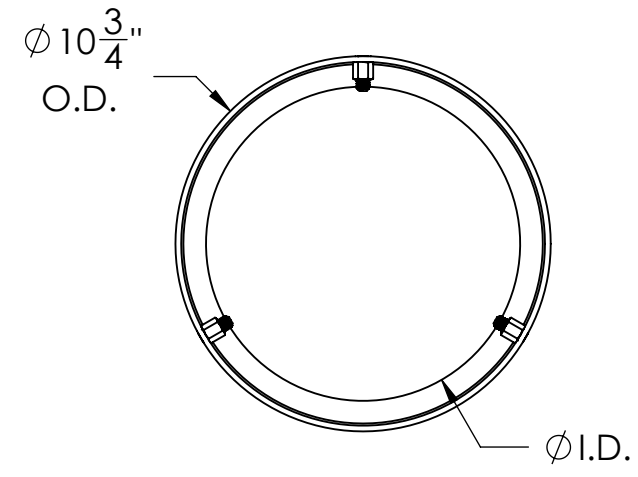


COVER SELECTION							
SELECTION	PART NUMBER	COVER HEIGHT (H)	BOLLARD HEIGHT	I.D.	FITS BOLLARD SIZE (I.D.)	MATERIAL	COVER WEIGHT
	BCV4D11030-6	30"	28"	7"	6" NPS (6.625" O.D.)	304 SS	55LBS
	BCV4D11036-6	36"	34"	7"			64LBS
	BCV4D11040-6	40"	38"	7"			70LBS
	BCV4D11042-6	42"	40"	7"			74LBS
	BCV4D11030-8	30"	28"	9"	8" NPS (8.625" O.D.)		52LBS
	BCV4D11036-8	36"	34"	9"			62LBS
	BCV4D11040-8	40"	38"	9"			68LBS
	BCV4D11042-8	42"	40"	9"			71LBS
	BCV6D11030-6	30"	28"	7"	6" NPS (6.625" O.D.)	316L SS	55LBS
	BCV6D11036-6	36"	34"	7"			64LBS
	BCV6D11040-6	40"	38"	7"			70LBS
	BCV6D11042-6	42"	40"	7"			74LBS
	BCV6D11030-8	30"	28"	9"	8" NPS (8.625" O.D.)		52LBS
	BCV6D11036-8	36"	34"	9"			62LBS
	BCV6D11040-8	40"	38"	9"			68LBS
	BCV6D11042-8	42"	40"	9"			71LBS
APPROVAL SIGNATURE:							
DATE:							



3 SET SCREWS FOR SECURING COVER TO BOLLARD

NOTE: OTHER MATERIALS/FINISHES AVAILABLE - CONTACT FOR MORE INFORMATION

	NAME	DATE	 BARRIER DEFENSE SYSTEMS <small>A SHAW STAINLESS COMPANY</small>	986 ROSEDALE DR. HIRAM, GA 30141 (678) 915-2080
DRAWN BY	S.J.	9/29/2020		
CHECKED BY	J.HU.	9/29/2020	DESCRIPTION: 10" DOME TOP 1 REVEAL BOLLARD COVER	
PROPRIETARY AND CONFIDENTIAL THE INFORMATION CONTAINED IN THIS DRAWING IS THE SOLE PROPERTY OF SHAW STAINLESS LLC. ANY REPRODUCTION IN PART OR AS A WHOLE WITHOUT THE WRITTEN PERMISSION OF SHAW STAINLESS LLC IS PROHIBITED.			REV. A	ITEM NO: SEE SELECTOR
NO MANUAL REVISIONS/CHANGES ALLOWED			SHEET 1 OF 1	

